



**AMERICAN SPECIALTIES, INC.**

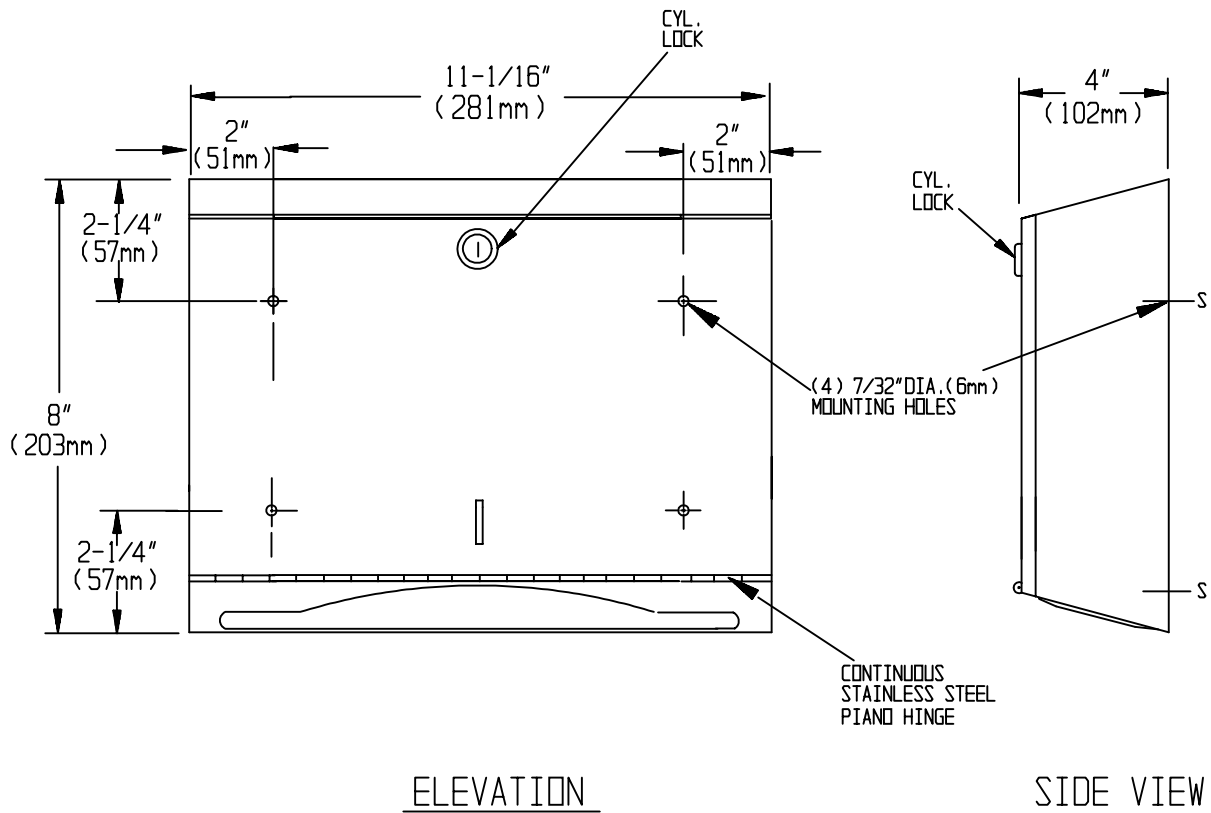
441 Saw Mill River Road, Yonkers, NY 10701 (914) 476-9000

MODEL No: 0208

ISSUED: 1-87

REVISED: 11-04

**SURFACE MOUNTED PETITE PAPER TOWEL DISPENSER**



ELEVATION

SIDE VIEW

**SPECIFICATION**

Surface Mounted Petite Paper Towel Dispenser shall hold and dispense one pack 150 standard multi-fold or standard C-fold paper towels and shall be fabricated of alloy 18-8 stainless steel, type 304, 22 gauge. All exposed surfaces shall be N<sup>o</sup>4 satin finish and be protected during shipment with a PVC film easily removable after installation. Towel dispensing slot shall have a fully hemmed-in rolled edge for snag-free dispensing and user safety. Door shall be attached to cabinet at bottom with a full length 3/16" dia. stainless steel multi-staked piano hinge and shall be held closed with a tumbler lock keyed alike to other ASI washroom equipment. Structural assembly of body and door components shall be of welded construction. Unit shall be provided with a refill view indicator. Wall shall be protected against uncontrolled door-drop damage by self-limiting body and hinge construction.

**Surface Mounted Stainless Steel Petite Paper Towel Dispenser shall be Model N<sup>o</sup>0208 as manufactured by American Specialties, Inc., 441 Saw Mill River Road Yonkers, New York 10701-4913**

**INSTALLATION**

Unit is surface mounted on wall or partition using four (4) N<sup>o</sup>10 self tapping screws (by others). For compliance with ADA Accessibility Guidelines, unit should be installed so that towel dispenser slot is 54" (1372 mm) maximum above finished floor (AFF) if clear floor side reach access is provided or 48" (1219mm) maximum AFF if clear floor forward reach access only is provided or 46" (1168mm) maximum AFF if side reach over an obstruction (vanity) is only provided.

**OPERATION**

Towels are self-feeding until supply is depleted. Unit may be reloaded with a partial load in-place and will continue to feed properly. Low level of towel supply is indicated from 35% capacity to empty. Unit is a reduced-size model and has less capacity than larger models, therefore it is recommended to use this unit in space-restricted or low traffic areas.

Accessory Specialties

AMERICAN DISPENSER

Desert Ray Products

**WATROUS** .INC.