



AMERICAN SPECIALTIES, INC.

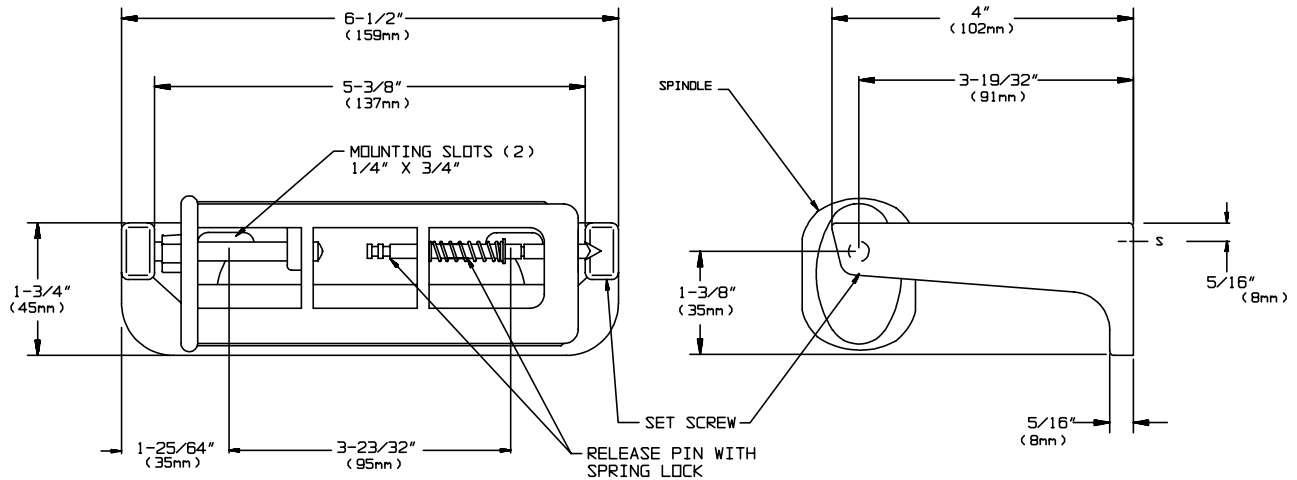
441 Saw Mill River Road, Yonkers, NY 10701 (914) 476-9000

MODEL No: 0263-1A2

ISSUED: 1-87

REVISED: 8-04

SURFACE MOUNTED SINGLE ROLL TOILET TISSUE HOLDER



SPECIFICATION

Surface Mounted Single Roll Tissue Holder with Theft-Resistant, key locked, free-delivery spindle shall hold and dispense all standard core roll tissue, up to 6" dia. (152mm) and be fabricated of die cast aluminum with a satin matte silver-gray finish. Spindle shall be fabricated of impact resistant, ABS thermoplastic and be theft resistant with a concealed release mechanism and a locking screw that shall be removable only with hex key. Roll core shall not be removable until tissue is exhausted.

Surface Mounted Single Roll Tissue Holder with Theft-Resistant, key locked, free delivery spindle shall be Model № 0263-1A2 of American Specialties, Inc. 441 Saw Mill River Road Yonkers, New York 10701-4913

INSTALLATION

Unit is surface mounted on wall or partition using № 10 self tapping screws (by others). For compliance with a ADA Accessibility Guidelines, unit should be installed so that tissue roll centerline is between 44" (1118mm) maximum above finished floor (AFF) and 19" (483mm) minimum AFF. Recommended mounting height is 32" (815mm) from center line of holder AFF.

OPERATION

Spindle revolves freely. Roll core prevents access to release pin and cannot be removed from spindle until tissue is exhausted and screw is loosened with key. Unit is replenished by releasing a concealed pin which in turn releases a spring lock mechanism on spindle.

Accessory Specialties

AMERICAN DISPENSER

Desert Ray Products

WATROUS .INC.