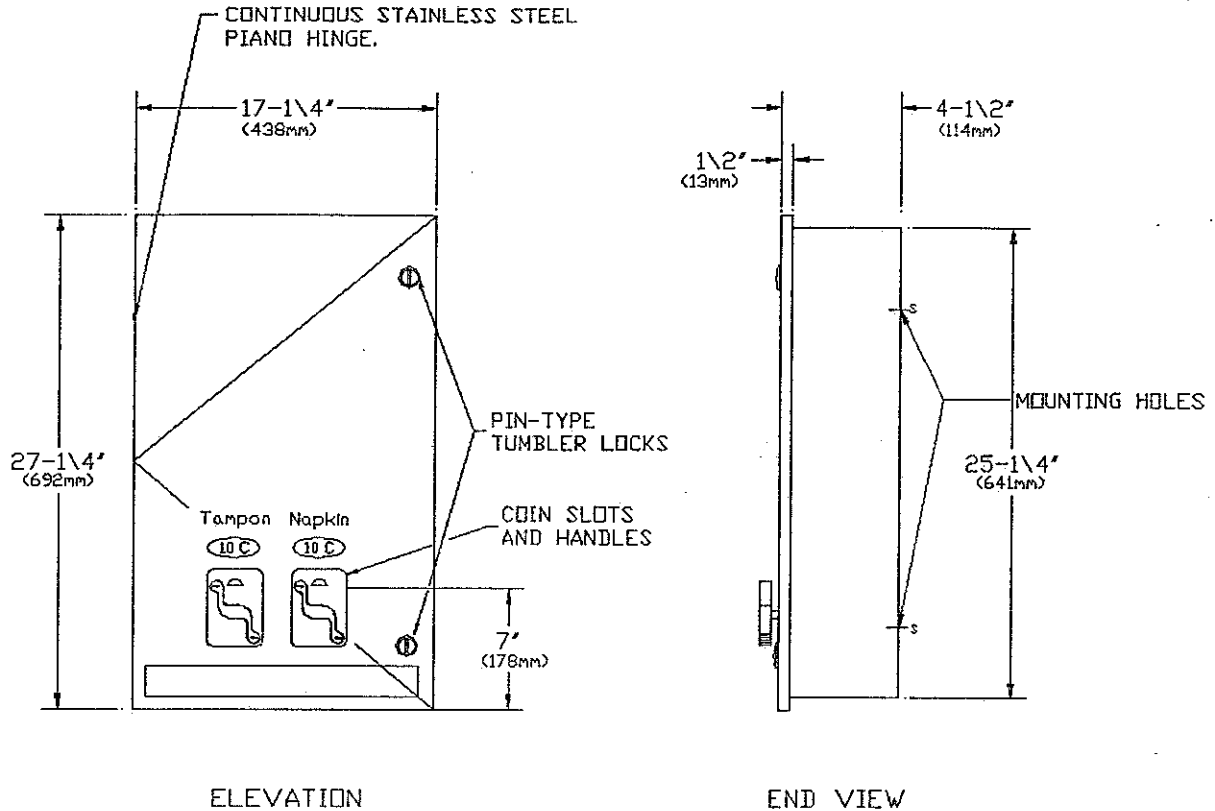


MODEL NO.	04684-H
ISSUED -	1-87
REVISED -	12/88, 1/90, 7/92

RECESSED DUAL NAPKIN-TAMPON DISPENSER



SPECIFICATION

UNIT HAS A NO. 18 GAUGE, TYPE 304, 18-8 ALLOY STAINLESS STEEL FULL FACE DOOR RETURNING 1/2" TO THE WALL WITH A NO 4 SATIN FINISH PROTECTED BY APOLYVINYL COATING (PVC) EASILY REMOVED AFTER INSTALLATION. BODY IS FABRICATED OF NO. 18 GAUGE STAINLESS STEEL (SAME TYPE AS DOOR) AND HAS A 1" (25MM) WIDE PERIMETER FLANGE THAT LAYS FLAT AGAINST FINISHED WALL. THERE ARE NO EXPOSED FASTENING DEVICES OR VISIBLE SEAMS. DOOR IS MOUNTED ON A CONTINUOUS HEAVY DUTY STAINLESS STEEL HIGE AND HELD CLOSED BY MEANS OF PIN-TYPE TUMBLER LOCKS KEYED ALIKE. A COIN BOX ARE FURNISHED AND SHALL HAVE PIN-TYPE TUMBLER LOCK KEYED DIFFERENTLY FROM DISPENSER DOOR. A PAIR OF DISPENSING MECHANISMS SHALL BE FURNISHED WITH APPROPRIATE COIN OPERATION AND WITH LARGE HANDLES FOR HANDICAP USEAGE REQUIRING A FORCE NO GREATER THAN 5 POUNDS (22.2N).

CAPACITY- SIMULTANEOUSLY DISPENSES BOTH NAPKINS OR TAMPONS IN ANY OF THE FOLLOWING SIZES:

15 NAPKINS-4-1/4"x3"x1-1/8" (108mmx76mmx29mm).	23 TAMPONS-5"(127mm) CYLINDER.
STAYFREE # 4 KOTEX # 704, 707, 07010, 07040, 07045, 07300 or 07320	GUARDS # 247 or 147 PURE-NAT # M-4 MODESS # 4
	TAMPAX MODESS TAMPONS.

WALL OPENING- WITH 16" (406mm), HEIGHT 26" (660mm), DEPTH 4-1/4" (108mm)

INSTALLATION- CABINET TO HAVE CONCEALED MOUNTIG HOLES WHICH ACCOMMODATE 3/16" (5mm) DIAMETER SCREWS FURNISHED BY MANUFACTURER.

MOUNTING SUGGESTIONS-

LOCATION-32" (813mm) TO 40" (1016mm) FROM TOP OF FINISHED FLOOR TO BOTTON OF UNIT.

NOTE:

- THIS UNIT IS KEYED ALIKE WITH OTHER A.S.I. EQUIPMENT.
- MECHANISM IS AVAILABLE FOR OPERATION BY MEANS OF THE FOLLOWING.
 5 ¢ _____ 10 ¢ _____ 25 ¢ _____ 50 ¢ _____ GRATIS _____ PLEASE SPECIFY _____

Accessory Specialties AMERICAN Dispenser Desert Ray Products MOORE Dispenser