



AMERICAN SPECIALTIES, INC.

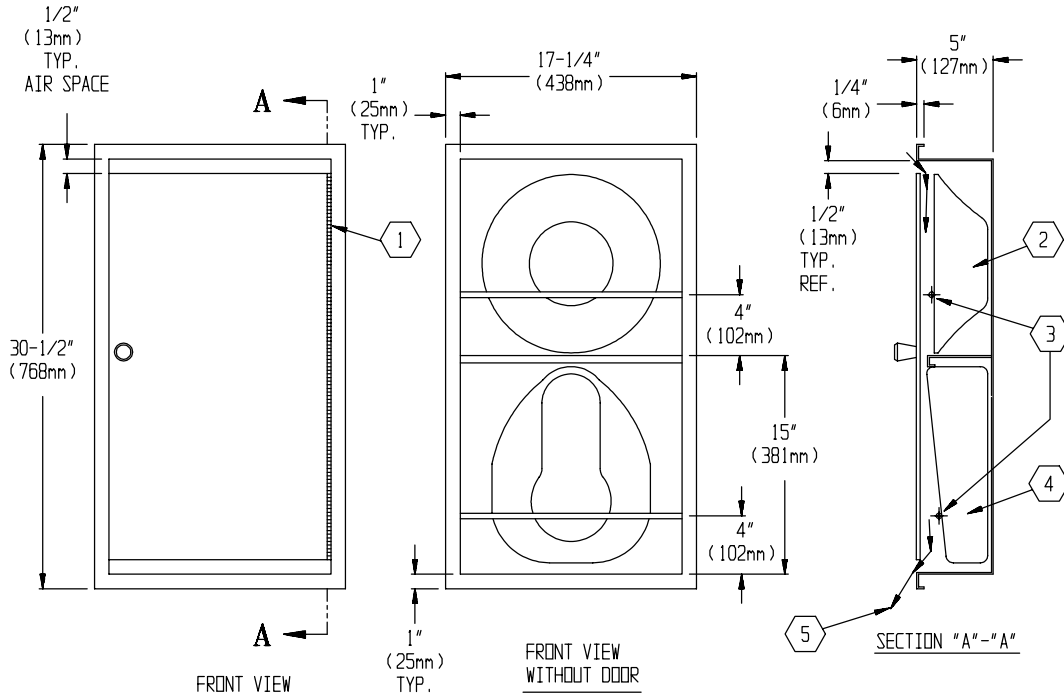
441 Saw Mill River Road, Yonkers, NY 10701 (914) 476-9000

MODEL No: 0558-1

ISSUED: 1-87

REVISED: 9-04

RECESSED BEDPAN AND WASHBASIN CABINET



LEGEND FOR SECTION

- 1. Heavy duty stainless steel piano hinge
- 2. Washbasin (by others)
- 3. 3/8" (10mm) dia. stainless steel
- 4. Bedpan (by others)
- 5. 1/2" (13mm) air flow top and bottom

SPECIFICATION

Recessed Bedpan and Washbasin Cabinet shall hold one (1) conventional type bedpan and one (1) washbasin of types indicated on shop fabrication drawings. Unit shall be fabricated of alloy 18-8 stainless steel, type 304, 22 gauge with N°4 satin finish and be protected during shipment with a PVC film easily removable after installation. Face trim shall be one piece construction with no miters or welding, 1" (25mm) wide and returning 1/4" (6.4mm) to wall. Cabinet shall have no exposed fastening devices or spot welded seams. Cabinet door shall be double-pan construction with No-Flex core and shall be hung on cabinet body with a 3/16" (5mm) dia. heavy duty stainless steel multi-staked piano hinge and shall be held closed by magnetic catch. Cabinet shall have 1/2" (13mm) open space across top and bottom of door to allow convection air flow.

Recessed Bedpan and Washbasin Cabinet shall be Model N° 0558-1 as manufactured by American Specialties, Inc., 441 Saw Mill River Road, Yonkers, New York 10701-4913.

INSTALLATION

For compliance with ADA Accessibility Guidelines, install unit so that top holder rod is 54" (1372mm) maximum above finished floor (AFF) if clear floor side reach access is provided or 48" (1219mm) maximum AFF if clear floor forward reach access is provided. Secure recessed cabinet to wall with N°10 self-tapping screws (by others) through concealed mounting holes.

Rough Wall Opening (RWO) required is..... 15-3/4" W x 29" H x 5" D (400mm x 737mm x 127mm).

OPERATION

The washbasin is stored on the shelf and the bedpan is stored on the bottom of the cabinet. Both utensils are held in place by stainless steel rods. An open space across the top and bottom of the door allows air to circulate by convection.

Accessory Specialties

AMERICAN DISPENSER

Desert Ray Products

WATROUS INC.