



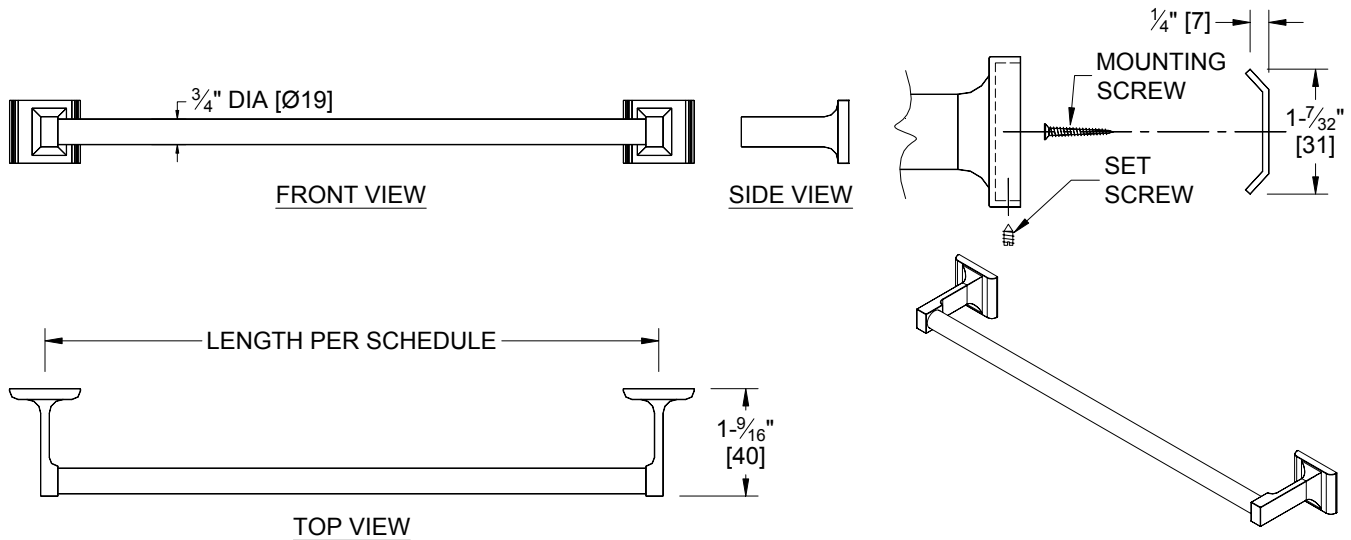
**AMERICAN SPECIALTIES, INC.**  
 441 Saw Mill River Road, NY 10701  
 (914) 476.9000 • (914) 476.0688  
 www.americanspecialties.com

**MODEL №: 0755-ZA**

**ISSUED: 05/10**

**REVISED: 06/10**

**ROUND TOWEL BAR UNIT**



Model №:	Length	Quantity
0755-ZA 18	18" [457]	
0755-ZA 24	24" [610]	
0755-ZA 30	30" [762]	
0755-ZA 36	36" [914]	

**SPECIFICATION**

Towel Bar Unit shall have brackets fabricated of triple chrome plated rust proof Zamak. Bar shall be  $\frac{3}{4}$ " dia (Ø19) 21 gauge (.032 in. < .81 > wall) triple chrome plated steel tubing. Unit shall be mounted by two end brackets. Tapped holes in bracket flange base shall have tamper resistant stainless steel slotted headless set screws to lock brackets to concealed pre-mounted wall plates. Unit shall meet appropriate FHA and other Federal Specifications.

**Towel Bar Unit shall be Model N° 0755-ZA of American Specialties, Inc. 441 Saw Mill River Road Yonkers, New York 10701- 4913**

**INSTALLATION**

Wall brackets are surface mounted using self tapping screws (supplied). Each end of unit is secured to bracket by tightening stainless steel set screws on flanges. Typical mounting height is 50" (1270) AFF (above finished floor) to centerline of bar. For compliance with ADA Accessibility Guidelines, install unit with top of bar at 48" (1219) MAX AFF if clear floor reach access is provided or 46" (1168) MAX AFF if side reach over an obstruction is only provided (i.e.; vanity).

**NOTE**

Towel bar is available in the standard lengths charted below. Specify correct model number for length required with quantity ordered.