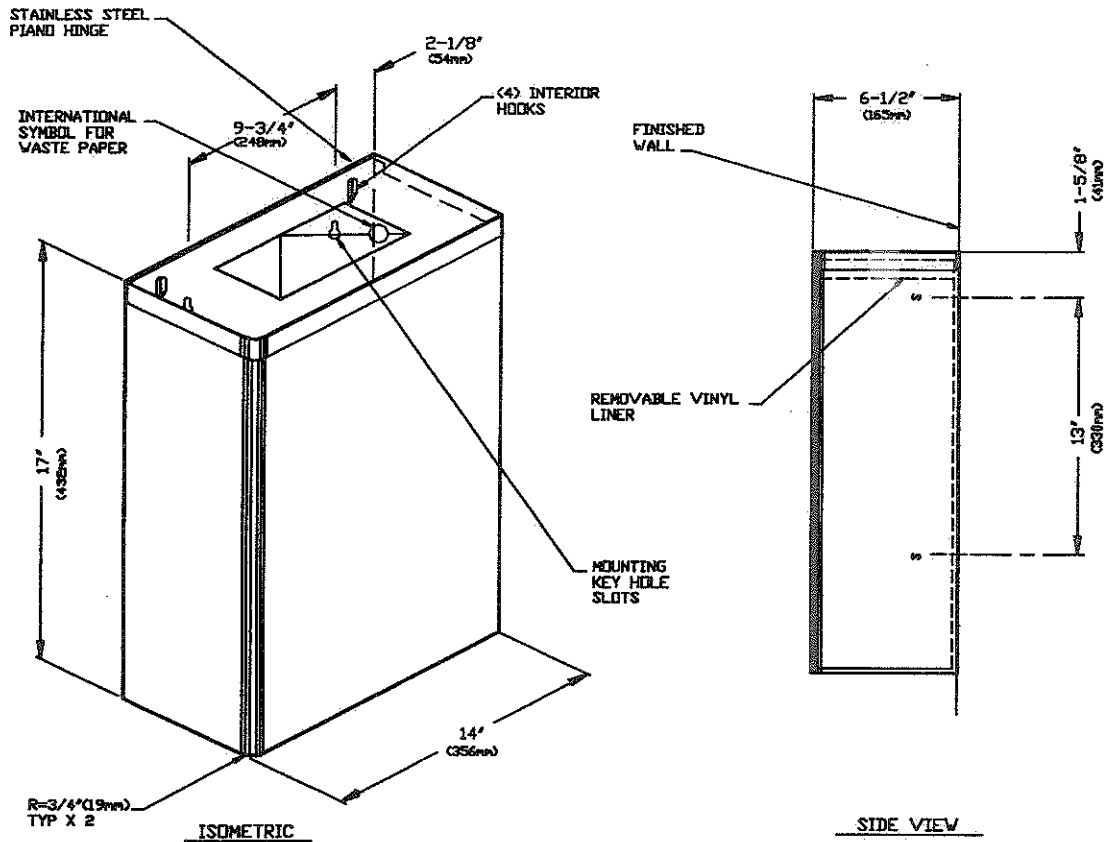




AMERICAN SPECIALTIES, INC.
441 Saw Mill River Road, Yonkers, NY 10701 (914) 476-9000

MODEL No:	0828-T
ISSUED:	1-87
REVISED:	9-96

SURFACE WASTE RECEPTACLE MEDIUM CAPACITY



SPECIFICATION

Surface Mounted Medium Capacity Waste Receptacle with closed top and push door shall hold .9 cu. ft. (.026m³) or 7 gal (26 liters) of dry/solids waste and shall be fabricated of alloy 18-8 stainless steel, type 304, N^o22 gauge. All exposed surfaces shall have a N^o4 satin finish and be protected during shipment by a plastic PVC film easily removable after installation. Structural assembly of container components shall be of welded construction. Vertical front edges shall be rounded to 1/2" (13mm) for passer-by safety. Unit shall have a hinged top with a self-closing push-door, a hemmed top lip for user safety, and no exposed fastening devices or welded seams. International graphic waste symbol shall be affixed to push door. A liner disposal bag of heavy gauge clear vinyl with reinforced edges and rust-proof grommets shall be held in place by clips permanently mounted on inside walls of waste can. Unit shall be easily installed and be capable of tamper-resistant mounting.

Surface Mounted Medium Capacity Waste Receptacle with closed top and push door shall be Model N^o0828T as fabricated by American Specialties, Inc., 441 Saw Mill Road, Yonkers, NY 10701-4913

INSTALLATION

Unit is surface mounted on wall or partition using N^o10 self tapping screws (supplied). Four (4) mounting holes through back are "keyhole" slots for ease in hanging unit on pre-installed screws. A top center screw hole is provided for tamper-resistant mounting. For maximum usability and compliance with ADA Accessibility Guidelines, unit should be installed so that top edge is between 30" (762mm) maximum above finished floor (AFF) and 23" (381mm) minimum AFF.

OPERATION

User deposits waste material through push door. Maintenance schedule determines trash removal cycle. Unit is emptied by removing collection liner bag to empty into appropriate bulk collection container. Liner is washable and reusable and replacements are available should they be required.

Accessory Specialties

AMERICAN DISPENSER

Desert Bay Products

WATROUS, INC.