



# AMERICAN SPECIALTIES, INC.

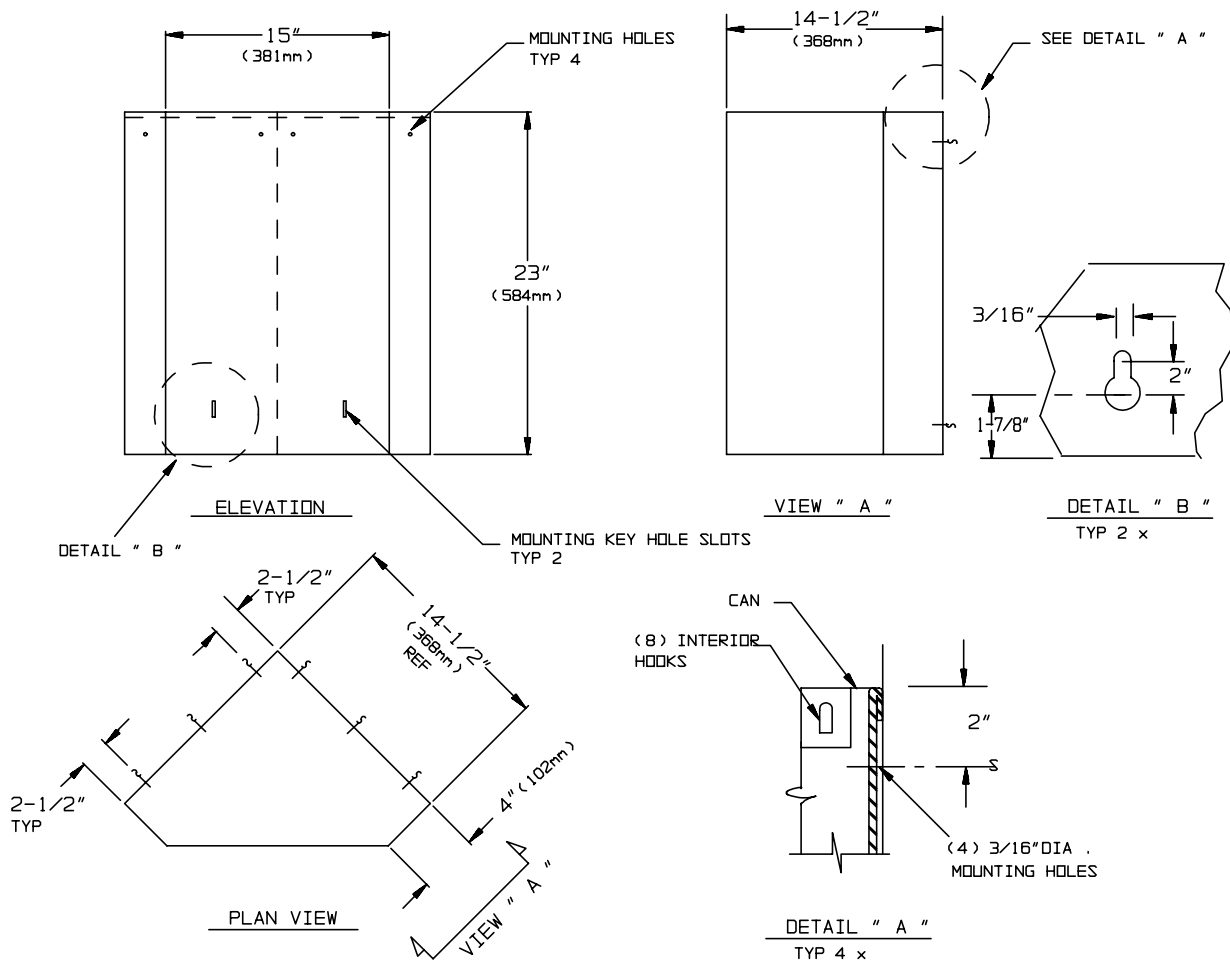
441 Saw Mill River Road, Yonkers, NY 10701 (914) 476-9000  
www.americanspecialties.com

MODEL No: 0829

ISSUED: 1-87

REVISED: 11-05

## SURFACE MOUNTED CORNER WASTE RECEPTACLE



### SPECIFICATION

Surface Mounted Corner Waste Receptacle shall hold 2.13 cu. ft. (.06m<sup>3</sup>) or 16 gal (60 liters) of dry/solids waste and shall be fabricated of alloy 18-8 stainless steel, type 304, 22 gauge. All exposed surfaces shall have a N°4 satin finish and shall be protected during shipment with a PVC film easily removable after installation. Structural assembly of container components shall be of welded construction. Unit shall have no exposed fastening devices or welded seams. Receptacle shall have eight (8) interior hooks for hanging a disposable bag (by others). Receptacle shall be mounted to wall through 'key hole' slots on back of unit and shall be theft resistant after installation of concealed locking screws.

**Surface Mounted Corner Waste Receptacle shall be Model N° 0829 as manufactured by American Specialties, Inc. 441 Saw Mill River Road Yonkers, New York 10701-4913.**

### INSTALLATION

For general utility, mount the receptacle 16" (406mm) above finished floor (AFF) from bottom of unit. Hang unit on pre-installed two (2) screws (by others) on wall through the mounting 'key hole' slots on bottom of unit. Install and fasten four (4) theft-resistant screws (by others) to wall through top of receptacle. For compliance with ADA Accessibility Guidelines, unit should be installed so that top edge is 40" (1016mm) maximum above finished floor (AFF).

### OPERATION

User deposits waste material. Maintenance schedule determines trash removal cycle. Unit is emptied by removing disposable bag (supplied by others) and emptying into appropriate bulk collection container.

Accessory Specialties

AMERICAN DISPENSER

Desert Ray Products

WATROUS INC.