



# AMERICAN SPECIALTIES, INC.

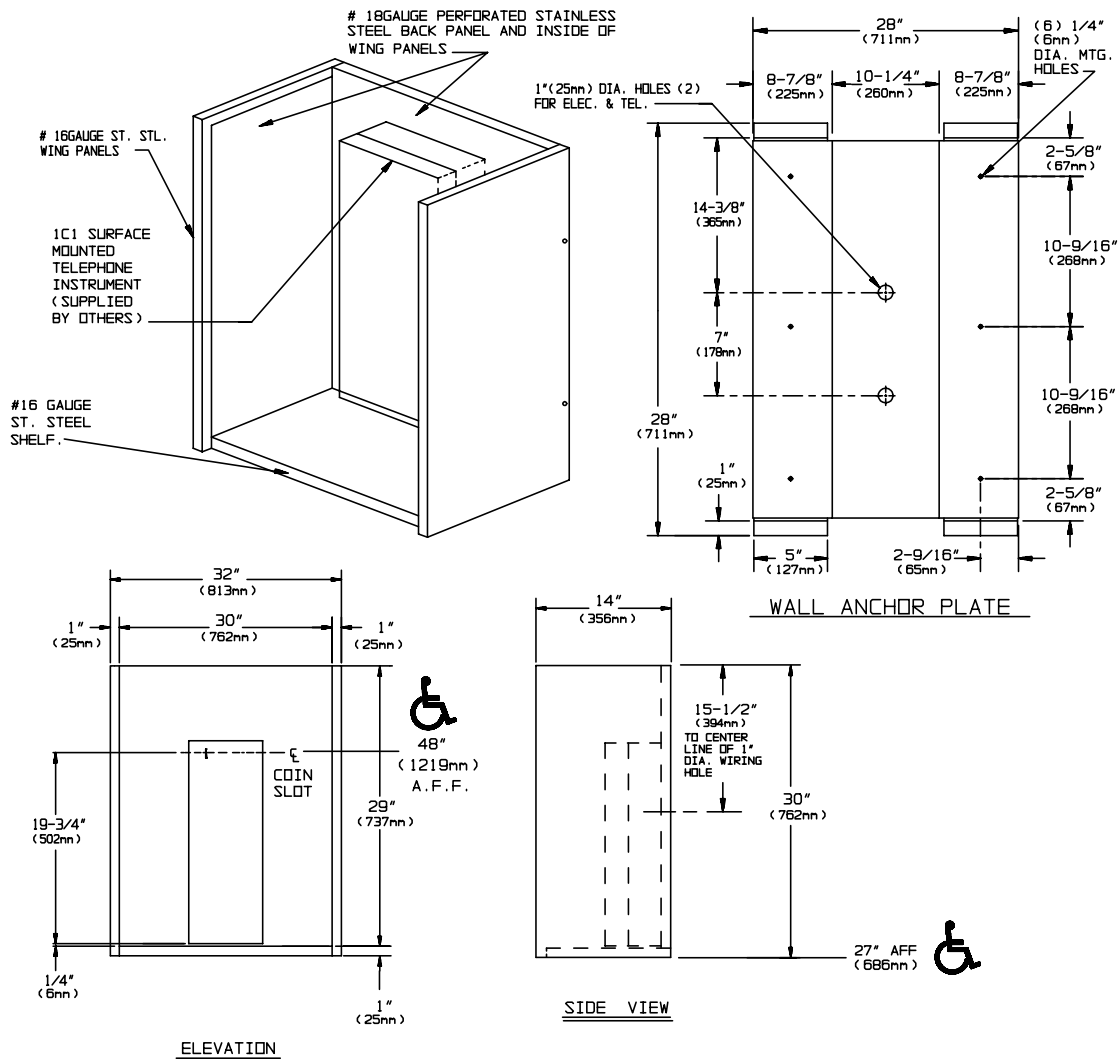
441 Saw Mill River Road, Yonkers, NY 10701 (914) 476-9000  
www.americanspecialties.com

MODEL No: 1305-0210

ISSUED: 1-87

REVISED: 6-06

## TELEPHONE ACCOMMODATION FOR ADAAG FRONT REACH ACCESS COMPLIANCE



### SPECIFICATION

Telephone Accommodation for ADAAG Front Reach Access Compliance shall have back panel fabricated of 18 gauge perforated stainless steel alloy 18-8 type 304. Shelf and wing panels exterior shall be 16 gauge stainless steel and wing panels shall have 18 gauge perforated stainless steel interior with sound absorbing filler inside for sound control. All exposed surfaces shall have a N° 4 satin finish. Unit is prepared to accept standard N° 1C1 surface mounted telephone (provided by others) onto concealed mounting plate. Unit shall have wall anchor plate and mounting bracket fabricated of 18 gauge paint-lok steel, which shall have six (6) 1/4" diameter (Ø6.4mm) mounting holes, two (2) 1" diameter (Ø25.4mm) wiring holes and hole-slots and tapped holes for standard telephone mounting at 48" (1219mm) maximum coin slot height.

**Telephone Accommodation for ADAAG Front Reach Access Compliance shall be Tellette Model N° 1305-0210 as manufactured by American Specialties Inc., 441 Saw Mill River Road, Yonkers, NY 10701-4913**

### INSTALLATION

Secure wall anchor plate to finished wall through six (6) mounting holes provided. Hang assembled booth onto wall anchor plate. Telephone instrument (supplied by others) is then set onto back of unit and secured, making total assembly theft-resistant. Installer must furnish mounting hardware to suit wall construction. For compliance with ADA Accessibility Guidelines front reach access mount unit 48" (1219mm) MAX AFF to the centerline of coin slot. **Top of unit will be at 57" (1448) max AFF and bottom of shelf will be at 27" (686mm).**

Accessory Specialties

AMERICAN DISPENSER

Desert Ray Products

WATROUS INC.