



AMERICAN SPECIALTIES, INC.

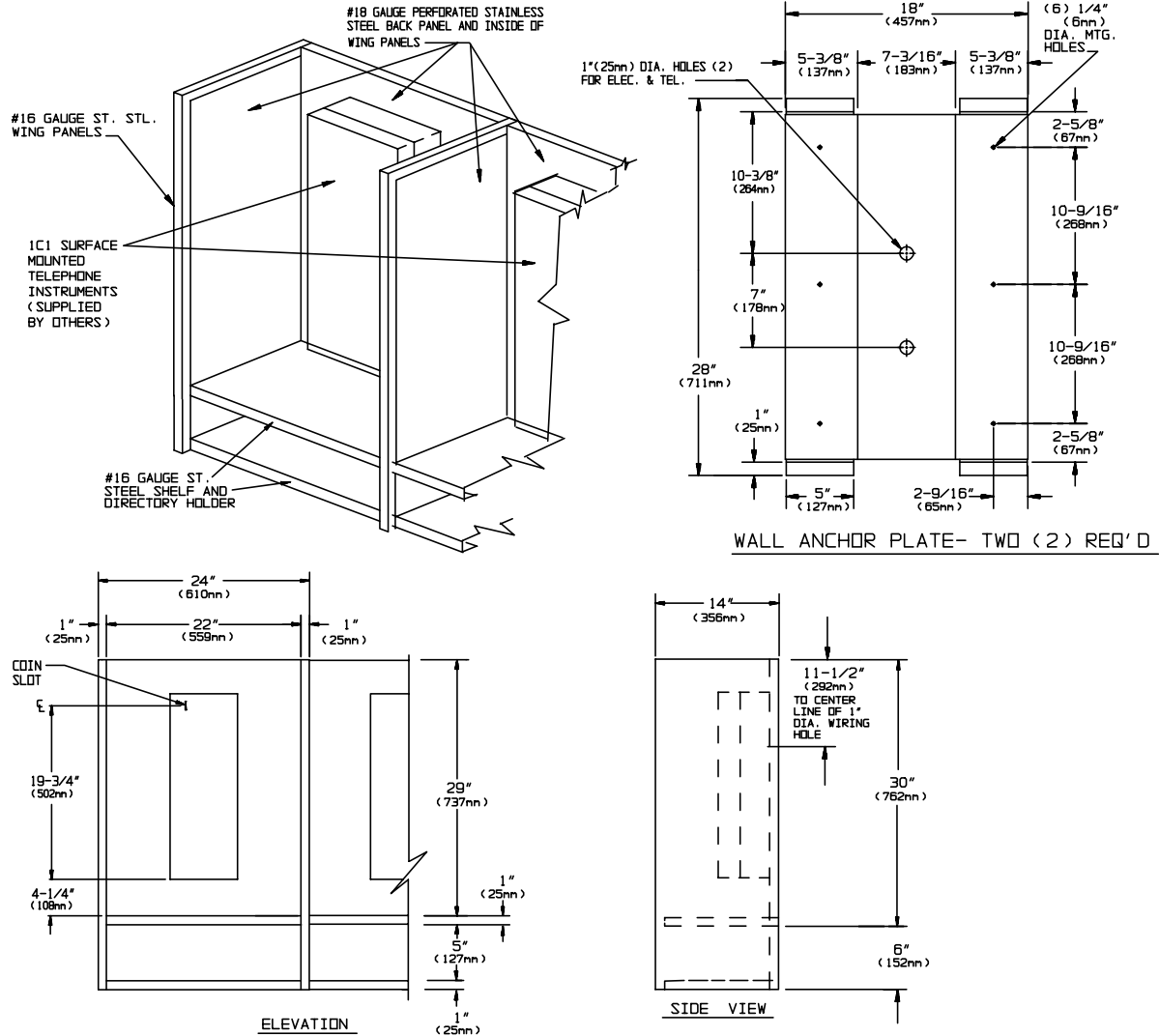
441 Saw Mill River Road, Yonkers, NY 10701 (914) 476-9000
www.americanspecialties.com

MODEL No: 1305-021317-2

ISSUED: 12-05

REVISED: 6-06

TWO-BAY TELEPHONE ACCOMMODATION WITH DIRECTORY HOLDERS



SPECIFICATION

Two-Bay unit shall have two Telephone Accommodations with Directory Holders with a common divider, and shall have back panels fabricated 18 gauge perforated stainless steel of alloy 18-8 type 304. Exterior of wing panels shall be stainless steel 16 gauge and interior shall have perforated stainless steel 18 gauge with sound absorbing filler for sound control. All exposed surfaces shall have a N° 4 satin finish. Unit is prepared to accept standard N° IC1 surface mounted telephones (provided by others) onto concealed mounting plates. Unit shall have wall anchor plates and mounting brackets fabricated of 18 gauge paint-lok steel, which shall have six (6) 1/4" diameter (Ø6.4mm) mounting holes, two (2) 1" diameter (Ø25.4mm) wiring holes and hole-slots and tapped holes for standard telephone mounting.

Two-Bay Telephone Accommodation with Directory Holders shall be Tellette Model N° 1305-021317-2 as manufactured by American Specialties, Inc., 441 Saw Mill River Road, Yonkers, NY 10701-4913

INSTALLATION

Secure wall anchor plates to finished wall through six (6) mounting holes provided in each. Hang assembled booth onto wall anchor plates. Telephone instruments (supplied by others) are then set onto back of unit and secured, making total assembly theft-resistant. Installer must furnish mounting hardware to suit wall construction. Suggested mounting height for general utility is 70" (1778mm) maximum above finished floor (MAX AFF) to the top of unit to place coin slot at 65" (1651mm) AFF. For compliance with ADA Accessibility Guidelines side reach access mount unit 54" (1372mm) MAX AFF to the centerline of coin slot.

Accessory Specialties

AMERICAN DISPENSER

Desert Ray Products

WATROUS INC.