



# AMERICAN SPECIALTIES, INC.

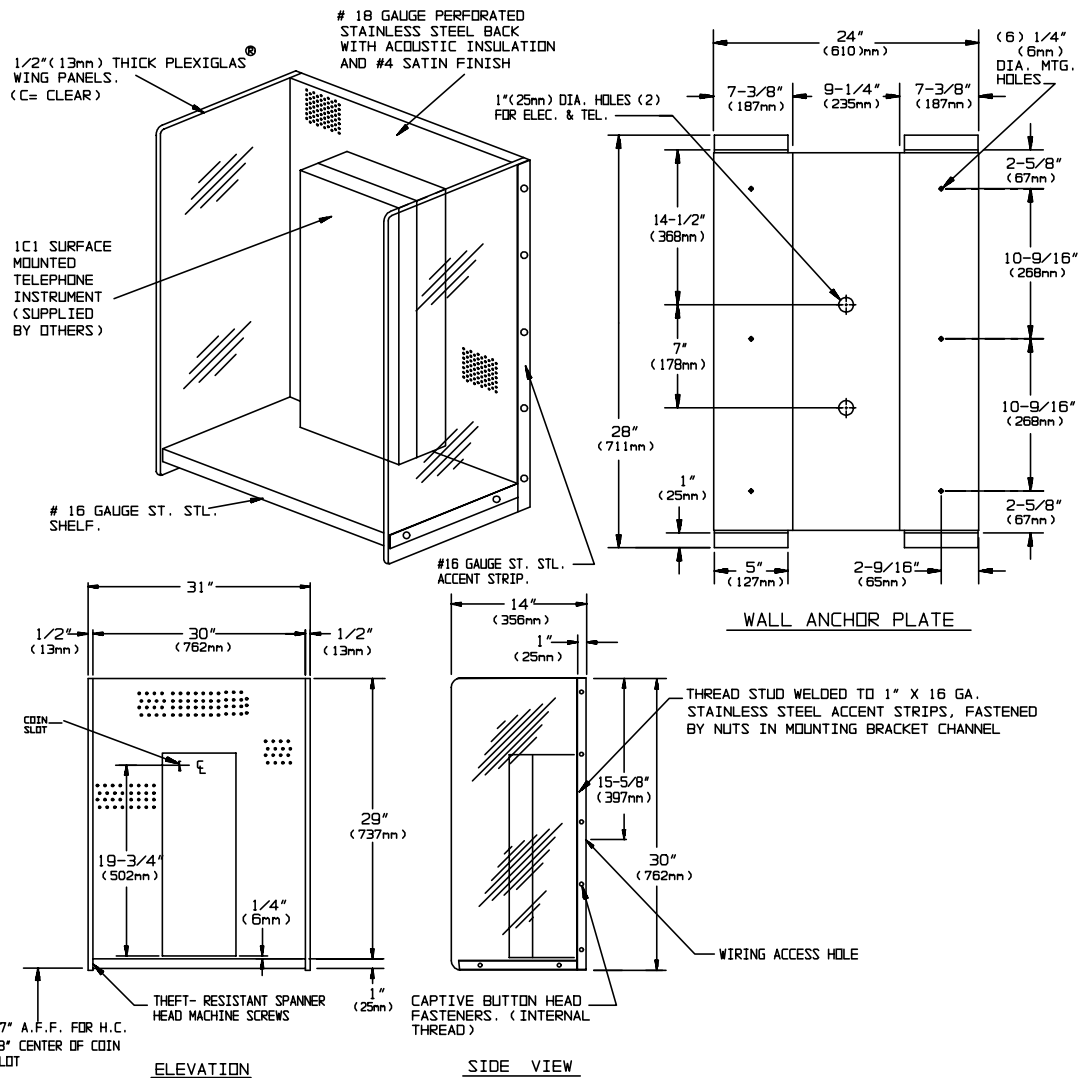
441 Saw Mill River Road, Yonkers, NY 10701 (914) 476-9000  
www.americanspecialties.com

MODEL No: 1305-04C0810

ISSUED: 1-87

REVISED: 4-06

## TELEPHONE ACCOMMODATION FOR ADAAG FRONT REACH ACCESS COMPLIANCE



### SPECIFICATION

Telephone Accommodation for ADAAG Front Reach Access Compliance shall have back panel fabricated of perforated stainless steel, alloy 18-8 type 304, 18 gauge. Shelf and 1" (25.4mm) wide accent strips at each side shall be 16 gauge stainless steel. All exposed surfaces shall have a N<sup>o</sup> 4 satin finish. Wing panels shall be 1/2" (13mm) thick clear acrylic. Unit is prepared to accept standard N<sup>o</sup> IC1 surface mounted telephone (provided by others) onto concealed mounting plate. Unit shall have wall anchor plate and mounting bracket fabricated of 18 gauge paint-lok steel, which shall have six (6) 1/4" diameter (Ø6.4mm) mounting holes, two (2) 1" diameter (Ø25.4mm) wiring holes and hole-slots and tapped holes for standard telephone mounting. For multiple bay installations [option -17-n] add 30-1/2" (775mm) to overall width for each additional telephone.

Telephone Accommodation for ADAAG compliance shall be Tellette Model N<sup>o</sup> 1305-04C0810 as manufactured by American Specialties, 441 Saw Mill River Road, Yonkers, NY 10701-4913.

### INSTALLATION

Secure wall anchor plate to finished wall through six (6) mounting holes provided. Hang assembled booth onto wall anchor plate. Telephone instrument (supplied by others) is then set onto back of unit and secured, making total assembly theft-resistant. Installer must furnish mounting hardware to suit wall construction. For compliance with ADA Accessibility Guidelines front reach access mount unit 48" (1219mm) MAX AFF to the centerline of coin slot. **Top of unit will be at 57" (1448) max AFF and bottom of shelf will be at 27" (686mm).**

Accessory Specialties

AMERICAN DISPENSER

Desert Ray Products

WATROUS INC.