



AMERICAN SPECIALTIES, INC.

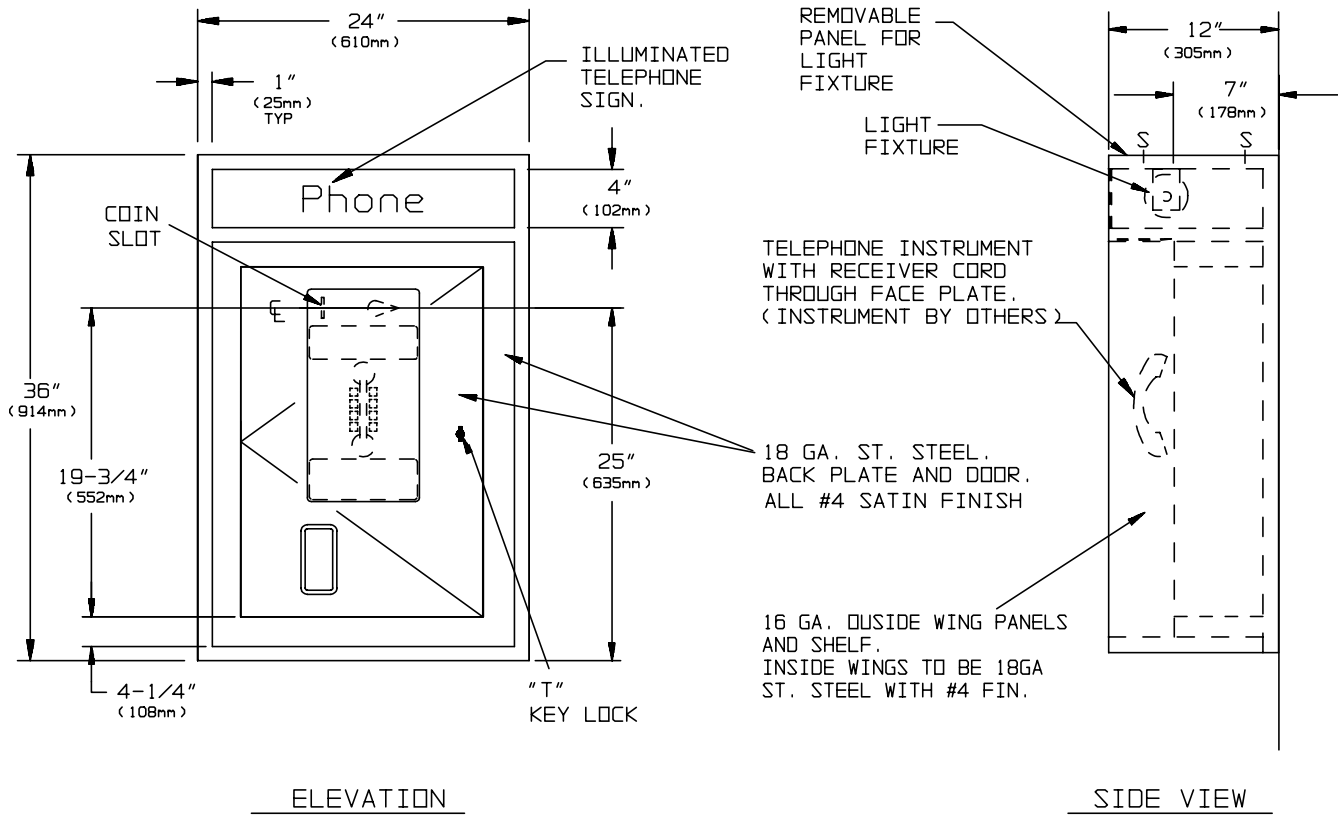
441 Saw Mill River Road, Yonkers, NY 10701 (914) 476-9000
www.americanspecialties.com

MODEL No: 1350-16

ISSUED: 1-87

REVISED: 4-06

TELEPHONE ACCOMMODATION WITH LIGHT FIXTURE



SPECIFICATION

Telephone Accommodation with Header and Lighted Sign shall have back panel, door and inside of wing panels fabricated of 18 gauge stainless steel alloy 18-8 type 304; outside wing panels and writing shelf shall be fabricated of 16 gauge stainless steel. All exposed surfaces shall have a N° 4 satin finish. The top shall have a light fixture to be wired to a remote wall switch or breaker by others. The light shall illuminate down into booth and forward for diffuser with "PHONE" legend and shall have a removable top access panel for wiring and servicing lamp. Unit shall have double wall construction with sound absorbing filler. Unit is prepared to accept standard N° 1C1 surface mounted telephone (provided by others) onto mounting plate behind concealed hinge door with T-key lock to provide panel phone look. Unit shall be provided with a 14 gauge cold rolled steel "Z" clip inside top for concealed mounting and three (3) 1/4" diameter (Ø6.4mm) mounting holes concealed on bottom under writing shelf to secure unit to wall. For multiple bay installations [option -17-n] add 23" (584mm) to overall width for each additional telephone.

Telephone Accommodation with Light Fixture shall be Tellette Model N° 1350-16 as manufactured by American Specialties, Inc., 441 Saw Mill River Road, Yonkers, NY 10701-4913.

INSTALLATION

Secure "Z" bracket to finished wall with screws (by others) into suitable blocking or other wall reinforcements. Installer must furnish mounting hardware to suit wall construction. Hang assembled booth onto wall bracket and install screws (by others) through mounting holes in rear of directory shelf to make unit non removable. Telephone instrument (provided by others) is then set onto back plate of unit. Screws (by others) are installed to lock instrument to back plate. Door is then secured making total assembly theft-resistant. Light fixture to be wired to remote wall switch or breaker by others is supplied with pig tail leads. Suggested mounting height for general utility is 82" (2083mm) AFF to the top of unit to place coin slot at 65" (1651mm) AFF. For compliance with ADA Accessibility Guidelines side reach access mount unit 54" (1372mm) MAX AFF to the centerline of coin slot, by installing unit with top at 71" (1803) MAX AFF.

Accessory Specialties

AMERICAN DISPENSER

Desert Ray Products

WATROUS INC.