



# AMERICAN SPECIALTIES, INC.

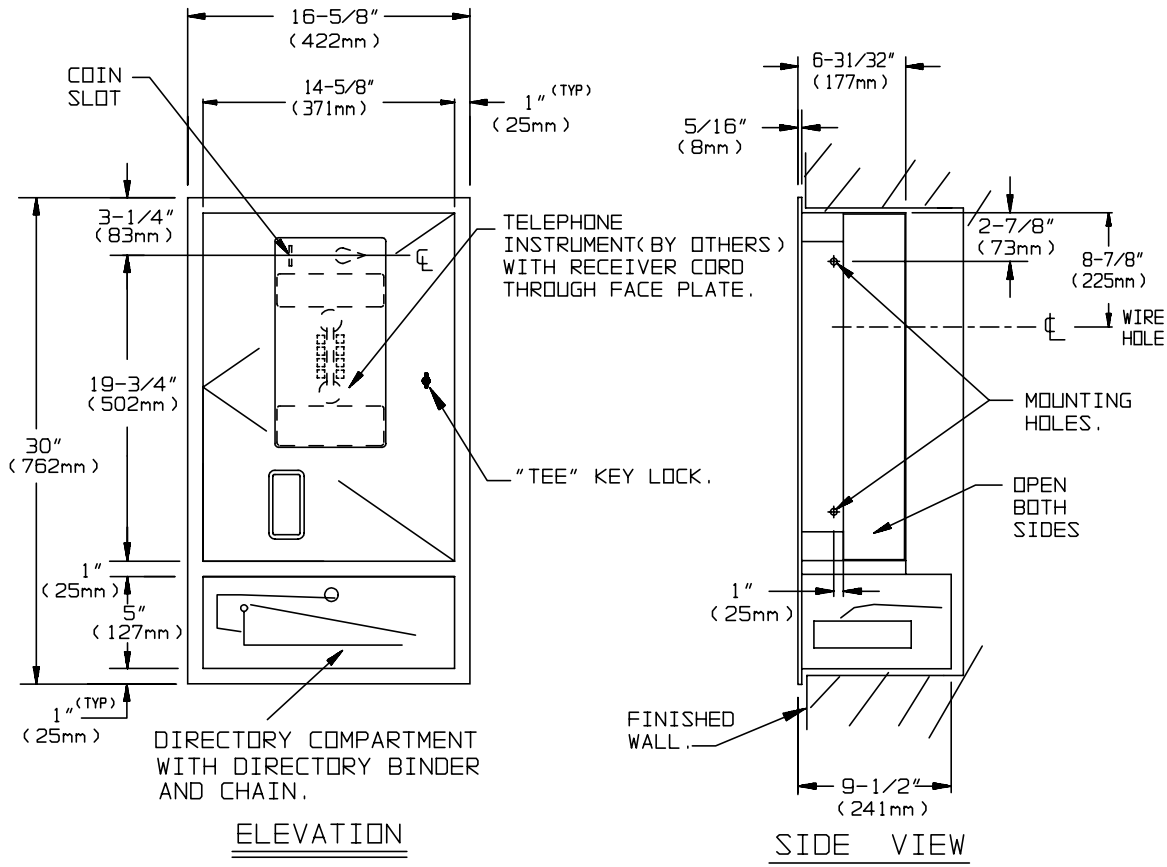
441 Saw Mill River Road, Yonkers, NY 10701 (914) 476-9000  
www.americanspecialties.com

MODEL No: 1450-1520

ISSUED: 1-87

REVISED: 6-06

## RECESSED TELEPHONE ACCOMMODATION WITH DIRECTORY SHELF, BINDER AND CHAIN



### SPECIFICATION

Recessed Telephone Accommodation with Directory Holder Shelf, Binder & Chain shall be fabricated of 16 gauge alloy 18-8 stainless steel type 304 and door shall be fabricated of 18 gauge stainless steel. All exposed surfaces shall have a N° 4 satin finish. Telephone box shall be 16 gauge cold rolled steel with a matte black finish. Unit shall have eight (8) mounting holes for N° 10 self tapping screws (not provided) for mounting into RWO. Unit is prepared to accept standard N° 1C1 surface mounted telephone (provided by others) onto mounting plate with hole-slots and tapped holes and a 1" diameter (Ø25.4mm) wiring hole behind concealed hinge door with T-key lock to provide panel phone look. Unit is provided with binder and chain for installation in directory holder compartment. Unit shall be provided with a T-key lock and access key.

**Recessed Telephone Accommodation with Directory Shelf, Binder & Chain shall be Tellette Model N° 1450-1520 as manufactured by American Specialties, Inc., 441 Saw Mill River Road, Yonkers N.Y. 10701-4913**

### INSTALLATION

Secure unit to vertical blocking and/or horizontal blocking in wall RWO through four (4) minimum or eight (8) maximum mounting holes provided. Installer must furnish mounting hardware to suit wall construction. Electrical service is roughed in (by others) to location indicated in diagram. Telephone instrument (supplied by others) is then set onto back of unit and secured with ¼-20 pan head machine screws (not provided), and hooked up (by others). Door is then closed and locked with special T-key provided making total assembly theft-resistant. Others install binder and chain to pre-drilled attachment hole. Suggested mounting height for general utility is 67-7/16" (1713mm) maximum above finished floor (MAX AFF) to the top of RWO to place coin slot at 65" (1651mm) MAX AFF. For compliance with ADA Accessibility Guidelines side reach access mount unit 54" (1372mm) MAX AFF to the centerline of coin slot, by installing unit with top of RWO at 56-7/16" (1434) MAX AFF. For compliance with ADA Accessibility Guidelines front reach access mount unit 48" (1219mm) MAX AFF to the centerline of coin slot. Note that top of RWO is 13/16" (21mm) below top of unit frame.

**Rough Wall Opening (RWO) required is 15" W x 28-3/8" H x 10" D (381mm x 721mm x 254mm).**

Accessory Specialties

AMERICAN DISPENSER

Desert Ray Products

WATROUS INC.