



AMERICAN SPECIALTIES, INC.

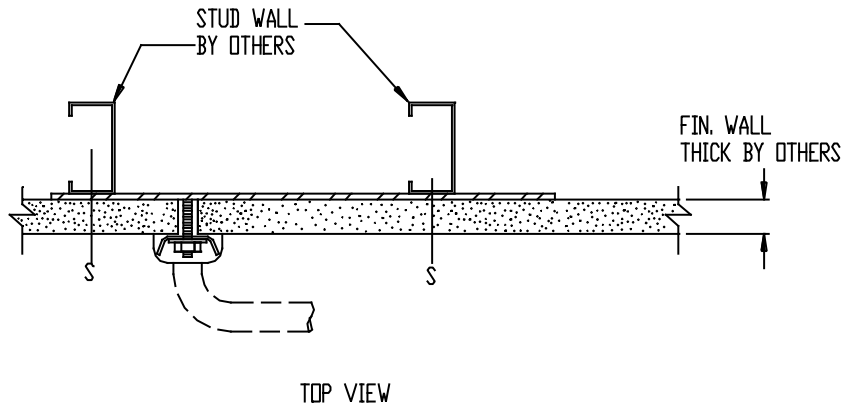
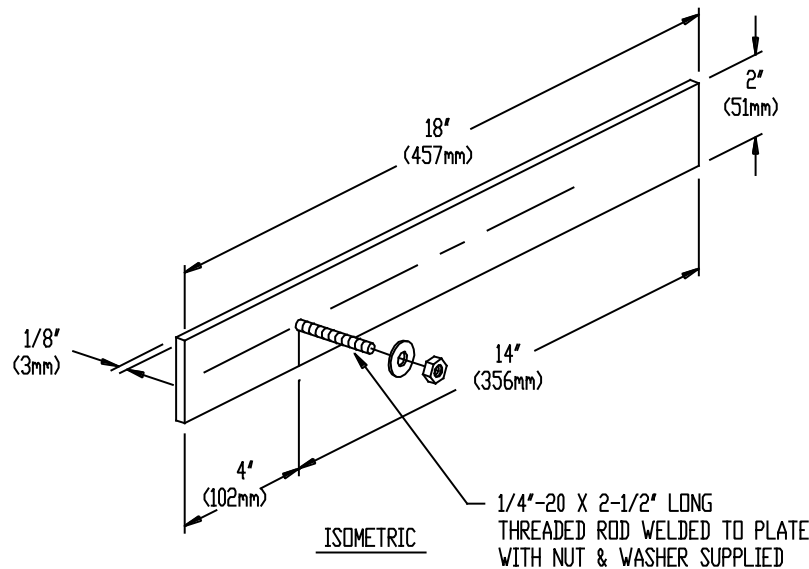
441 Saw Mill River Road, Yonkers, NY 10701 (914) 476-9000

MODEL No: 3946

ISSUED: 1-87

REVISED: 6-98

IN-WALL ANCHOR



SPECIFICATION

In-Wall Anchor shall be suitable for securing one ASI Grab Bar Model №11, 15, 16, 22, 24, 28, 32, 33, 36, 39, 40, 41, 42 Grab Bars in series 3000, 3100 or 3200 to a stud wall. Wall anchor shall be fabricated of steel plate 1/8" (3mm) thick x 2" (51mm) wide. Length shall be 18" (457mm). One (1) 1/4-20 threaded steel rod x 2-1/2" (64mm) long shall be welded to plate located on centerline of width and 4" (102mm) from end with washer and nut supplied. Wall anchor shall provide mounting point for one (1) support post and shall be installed in rough wall (by others).

In-Wall Anchor shall be Model 3946 as manufactured by American Specialties, Inc., 441 Saw Mill River Road, Yonkers, New York 10701-4913

INSTALLATION

For compliance with ADA Accessibility Guidelines mount grab bar so that horizontal centerline is 33" (838mm) minimum to 36" (914mm) maximum above finished floor (AFF). Drill anchor plate and screw, weld or wire plate to wall stud system in exact mounting location to suit field conditions before applying finish wall material. Take care not to bend threaded rod while constructing finished wall. Place tenon plate of grab bar on rod after finished wall is completed and fasten with washer and nut. Mount grab bar over tenon plate and fasten with set screws provided to complete installation.

Accessory Specialties

AMERICAN DISPENSER

Desert Ray Products

WATROUS INC.