



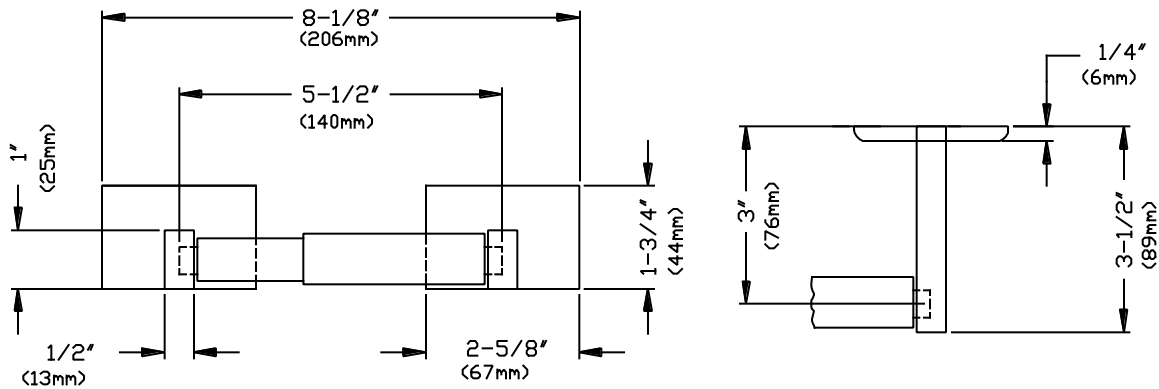
AMERICAN SPECIALTIES, INC.
441 Saw Mill River Road, Yonkers, NY 10701 (914) 476-9000

MODEL No: 7705

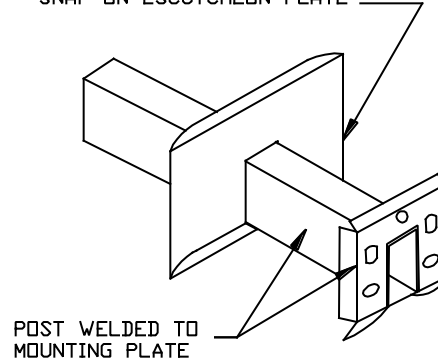
ISSUED: 1-87

REVISED: 9-96

TOILET PAPER HOLDER UNIT



SNAP-ON ESCUTCHEON PLATE



CONCEALED MOUNTING DETAIL

SPECIFICATION

Toilet Paper Holder Unit shall be fabricated of alloy 18-8 stainless steel, type 304. Support posts shall be fabricated of 1/2" x 1" (13mm x 25mm) N^o20 gauge rectangular tube. Snap-on escutcheon plates shall be N^o22 gauge as supplied. N^o18 mounting plates shall be welded to ends of support posts. Roller shall be fabricated of high impact-resistant ABS plastic. Surface finish shall be bright or N^o 4 satin as chosen by option. Unit shall meet Federal Specification WWP- 541/8A, type 1, class 1, style A, mounting S.

Toilet Paper Holder Unit shall be Model N^o 7705-S (or N^o7705-B) as fabricated by American Specialties, Inc. 441 Saw Mill River Road, Yonkers, New York 10701- 4913

INSTALLATION

Unit is surface mounted on wall using four (4) N^o 10 self tapping screws (supplied) through holes provided in mounting plates on support brackets. Escutcheon plates are snapped on to mounting plates to conceal fasteners. Roller is loaded and snapped into receiver holes in support posts. For compliance with ADA Accessibility Guidelines the unit should be installed so that the center line of the roller is 19" (483mm) min. above finished floor (AFF) to 44" (1118mm) max. AFF and forward edge of roll no further than 36" (914mm) from back wall behind commode.

OPERATION

Tissues are self-feeding on user-pull demand until supply is depleted. Roller is spring-loaded in support posts and is free-rolling.

OPTIONS AVAILABLE

Optional finish must be specified as either bright or satin. Specify finish by adding code suffixes to model number (i.e. 7705-S or 7705-B). Finish code suffix option -B = bright ; option -S = satin.

Accessory Specialties

AMERICAN DISPENSER

Desert Ray Products

WATROUS INC.