



AMERICAN SPECIALTIES, INC.

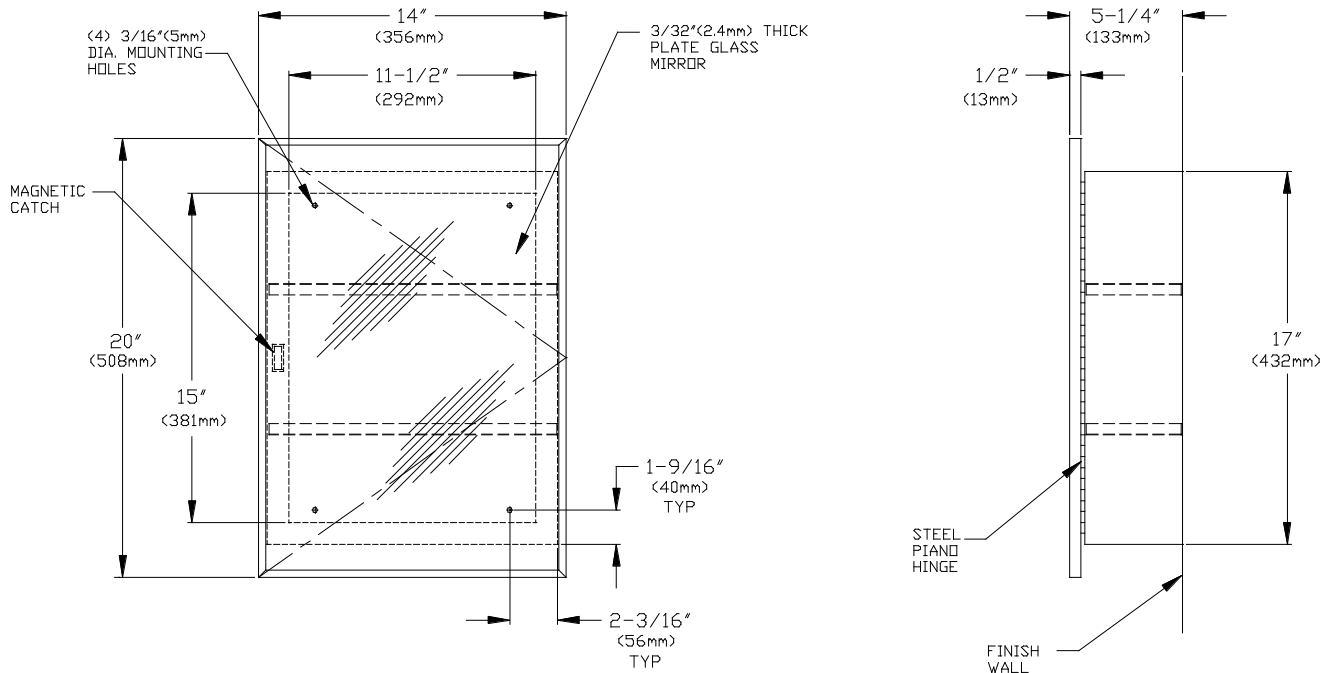
441 Saw Mill River Road, Yonkers, NY 10701 (914) 476-9000

MODEL No: 8336

ISSUED: 1-87

REVISED: 10-99

SURFACE MOUNTED MIRRORED SWING DOOR MEDICINE CABINET



SPECIFICATION

Surface Mounted Mirrored Swing Door Medicine Cabinet shall have cabinet body fabricated of heavy gauge steel with a white baked enamel finish. Cabinet shall be provided with two (2) fixed white baked enamel steel shelves. Mirror glazing shall be 3/32" (2.4mm) thick glass supported by cushion and full steel back painted to match cabinet. Stainless steel door channel frame shall be attached to cabinet with piano hinge painted to match cabinet and shall act as door swing limiter. Door shall be held closed by magnetic catch.

Surface Mounted Mirrored Swing Door Medicine Cabinet shall be Model №8336 of American Specialties, Inc., 441 Saw Mill River Road, Yonkers, New York 10701-4913

INSTALLATION

For general utility mount cabinet 46" (1168mm) above finished floor (AFF) from bottom of unit or 12" (305mm) above top of wash basin. Secure cabinet in place with four (4) №10 self tapping screws through mounting holes in cabinet back. Cabinet is universal for left-hand door swing and may be inverted to produce a door with a right hand swing if required. For compliance with ADA Accessibility Guidelines, install unit so that bottom edge of reflecting surface is no higher than 40" (1016mm) above finished floor.

OPERATION

User pulls door to access contents and manually pushes door shut. Shelves mount on internally welded support angles.

Accessory Specialties

AMERICAN DISPENSER

Desert Ray Products

WATROUS INC.