



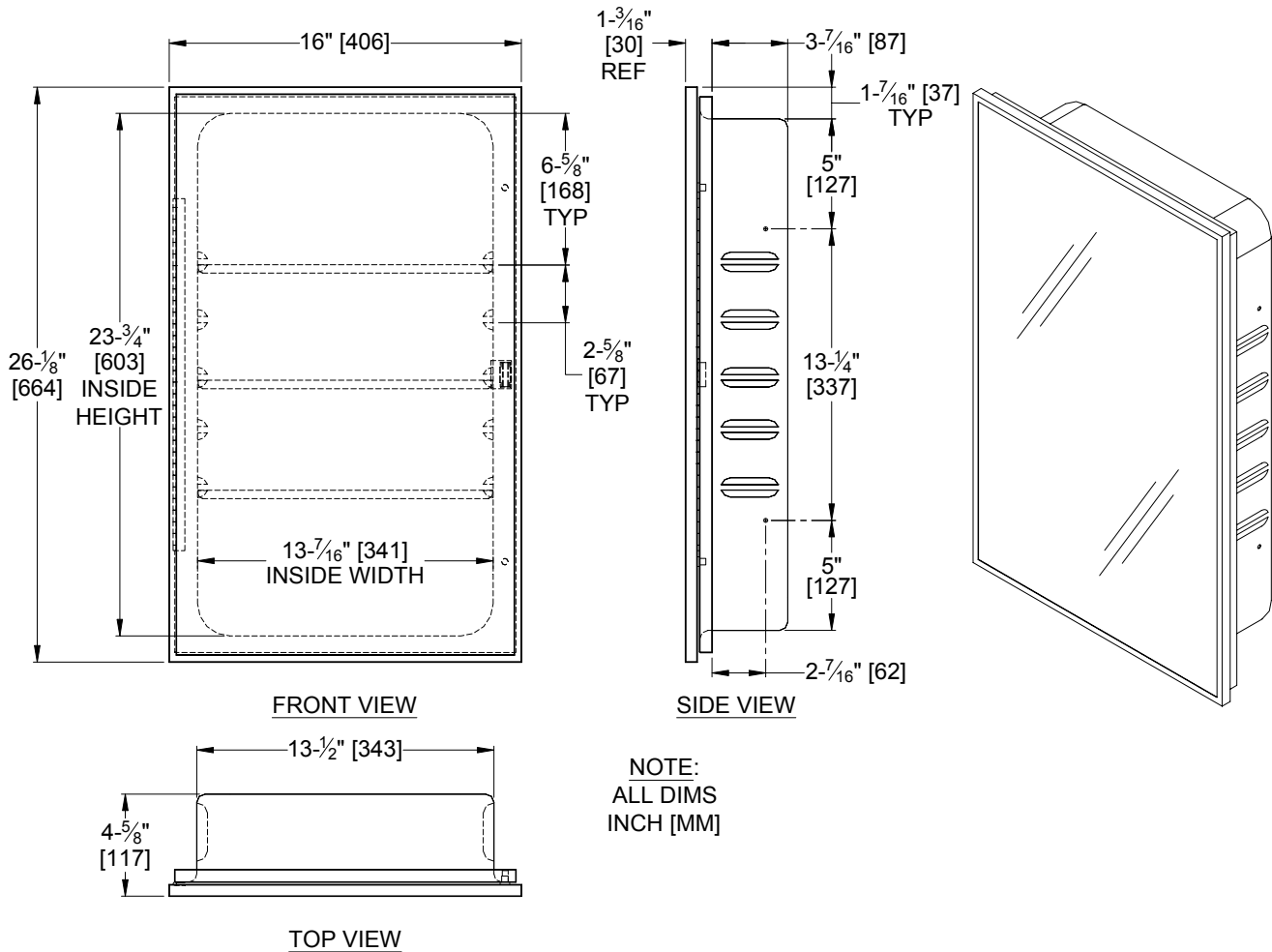
**AMERICAN SPECIALTIES, INC.**  
 441 Saw Mill River Road, NY 10701  
 (914) 476.9000 • (914) 476.0688  
 www.americanspecialties.com

MODEL №: 8337

ISSUED: 01/87

REVISED: 05/11

**RECESSED MEDICINE CABINET WITH MIRROR SWING DOOR**



**SPECIFICATION**

Recessed Medicine Cabinet shall have cabinet body fabricated of one piece, cold rolled steel with a neutral baked enamel finish. Cabinet shall be provided with three (3) adjustable painted steel shelves. Interior face trim shall be one piece construction with hairline mitres and no exposed fasteners or welded seams. Mirror glazing shall be 1/4" (6) thick polished float/plate glass and shall have a warranty against silver spoilage for fifteen (15) years. Stainless steel door channel frame shall be attached to cabinet with piano hinge painted to match cabinet and shall act as door swing limiter. Door shall be held closed by a magnetic catch.

Recessed Medicine Cabinet shall be Model № 8337 of American Specialties, Inc., 441 Saw Mill River Road, Yonkers, NY 10701-4913

**INSTALLATION**

Secure cabinet in place with four (4) № 10 self tapping screws (by others) through mounting holes in cabinet sides. Shim RWO sides to prevent distortion of cabinet sides when tightening screws. Cabinet is universal for left-hand door swing and may be inverted for right hand swing if required.

**Rough Wall Opening (RWO) required is 14" W X 24" H X 3-1/2" D (356 X 610 X 89)**

**OPERATION**

User pulls door to access contents and manually pushes door shut. Shelf location may be adjusted into any of five (5) available slots.