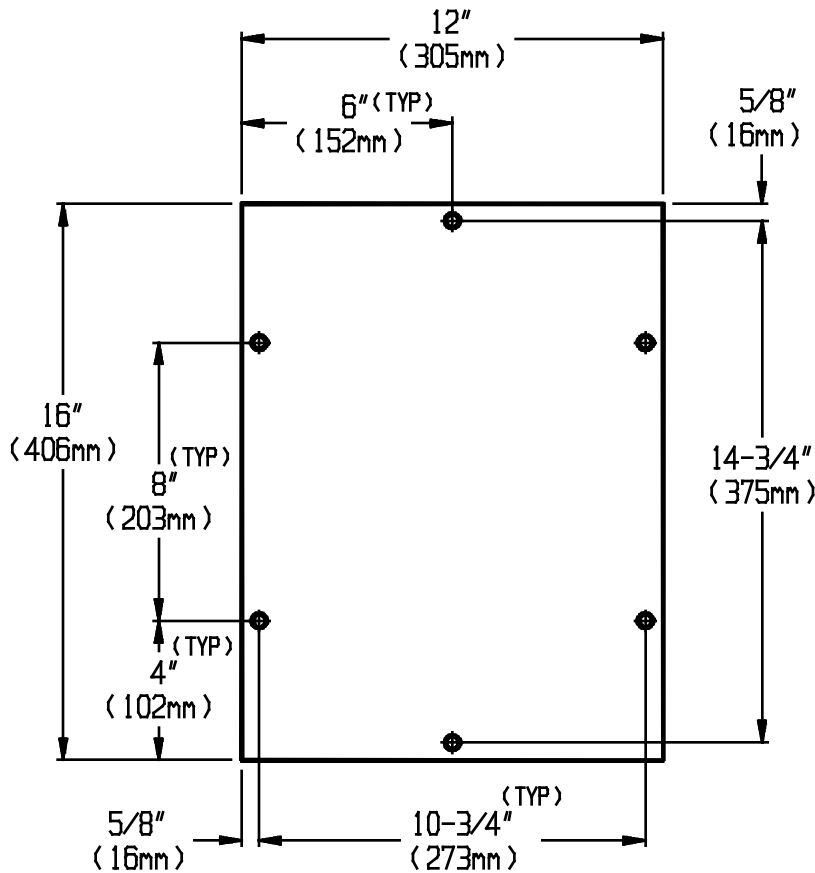




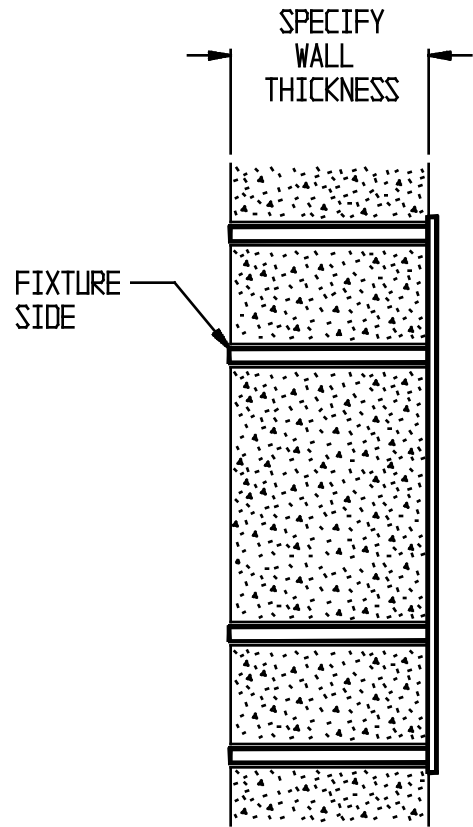
AMERICAN SPECIALTIES, INC.
 441 Saw Mill River Road, Yonkers, NY 10701 (914) 476-9000

MODEL No:	901
ISSUED:	1-87
REVISED:	9-96

WALL SLEEVE



FRONT VIEW



SIDE VIEW

SPECIFICATION

Wall Sleeve for Security Mirror (model N^o101, supplied separately) shall be fabricated of N^o22 gauge corrosion protected steel. Sleeve shall be supplied with open ends and remain in wall. Unit shall be of welded construction with mounting holes for attachment to forms. Closed end sleeves are available when specified for removal from forms.

Wall Sleeve shall be Model N^o901 as fabricated by American Specialties, Inc., 441 Saw Mill River Road, Yonkers, New York 10701-4913

WALL THICKNESS

Specify option with check mark (✓)

- 3-5/8" (92mm)
- 5-5/8" (143mm)
- 6" (152mm)
- 7-5/8" (194mm)
- 8" (203mm)
- Other Wall Thickness (Specify) _____

Accessory Specialties

AMERICAN DISPENSER

Desert Ray Products

WATROUS INC.