



AMERICAN SPECIALTIES, INC.

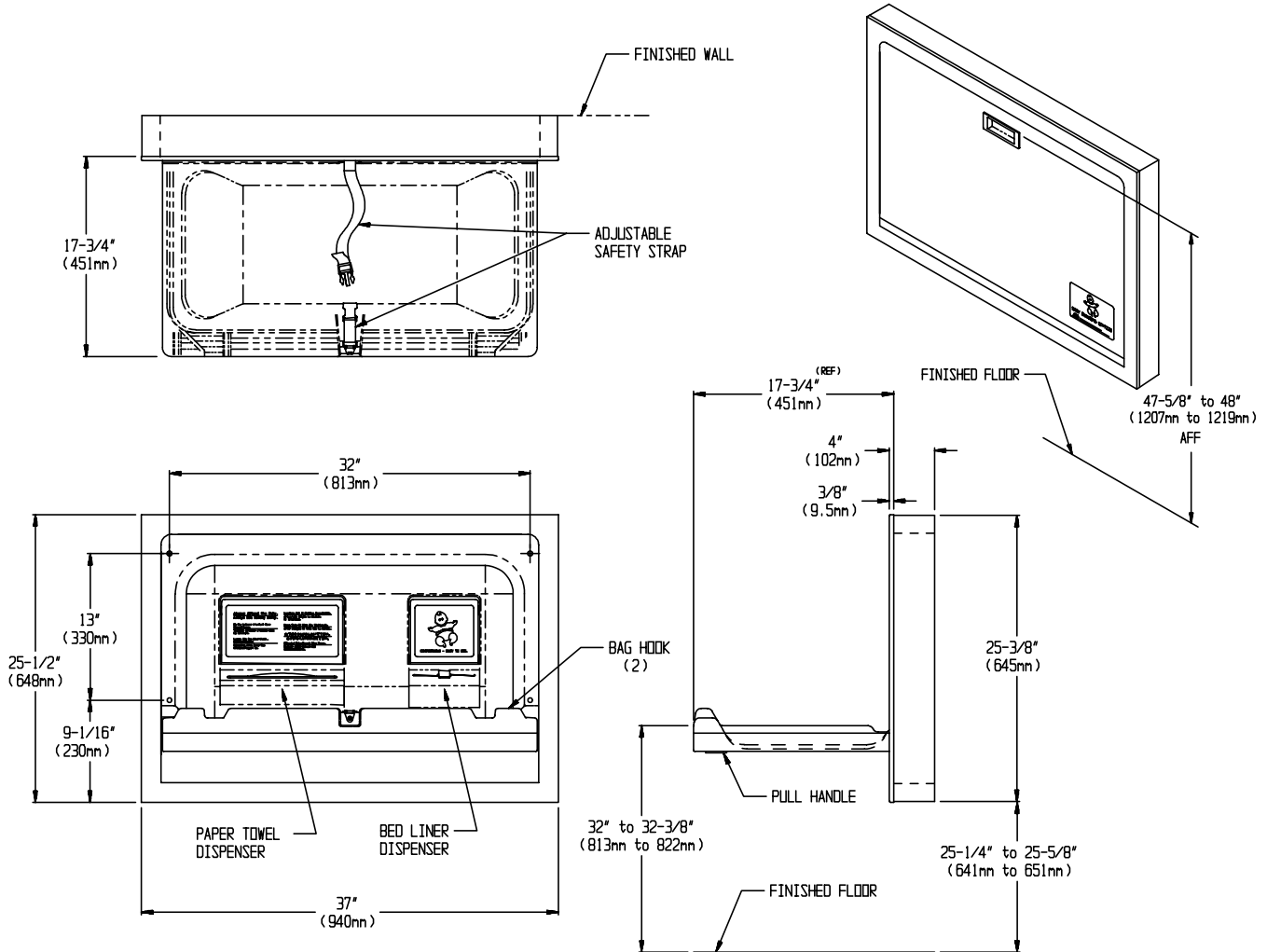
441 Saw Mill River Road, Yonkers, NY 10701 (914) 476-9000
www.americanspecialties.com

MODEL No: 9013-9

ISSUED: 2-05

REVISED: 8-05

SURFACE MOUNTED STAINLESS STEEL BABY CHANGING STATION



SPECIFICATION

Surface Mounted Baby Changing Station door, flange, surface mounting collar and cabinet shall be type 304 stainless steel, all welded construction. All exposed surfaces shall be polished to a N^o4 satin finish. The door shall be 16 gauge (1.6 mm) and the flange and cabinet shall be 18 gauge (1.3mm). The surface mounting collar shall be 22 gauge (.79mm). The pull down changing table shall be equipped with a pull handle and shall have a concealed damped gas spring to assist user in opening and closing unit with one hand. The bed liner shall be light gray, high impact plastic with a gloss finish for easy cleaning. The liner shall be shaped to cradle a child's body and shall be equipped with an adjustable two-part child protection safety strap. Unit shall include two bag hooks, a bed liner dispenser, and a C-fold towel and multi-fold towel dispenser that needs no adapters. Unit shall have a minimum holding capacity of 400 lbs. (181.4 kg). The strength of the supporting wall and hardware must be adequate to support the rated load. Unit shall provide graphic and instructions in 7 languages. Unit shall be warranted for (5) years against defects in material or workmanship.

Surface Mounted Stainless Steel Baby Changing Station shall be Model N^o 9013-9 as manufactured by American Specialties, Inc. 441 Saw Mill River Road Yonkers, New York 10701-4913.

INSTALLATION

Mount unit on wall using four (4) 3/8" x 3" (76mm) lag screws (or other fasteners appropriate for wall conditions) through mounting holes in rear wall of cabinet. Use washers and snap covers provided. For compliance with ADA Accessibility Guidelines, install unit so that top edge of changing table is 32" to 32-3/8" (813mm to 822 mm) above finished floor (AFF).

OPERATION

Pull down changing table is counterbalanced with a damped gas spring and can be opened or closed with one hand by grasping pull handle. Secure the child in place by using child protection strap. The two-piece strap buckle is assembled by sliding one half into the other until it locks in place. Tighten or loosen the strap by pulling the strap end through the strap binder. To unbuckle the strap simply squeeze the buckle sides to depress release buttons.

Accessory Specialties

AMERICAN DISPENSER

Desert Ray Products

WATROUS INC.