



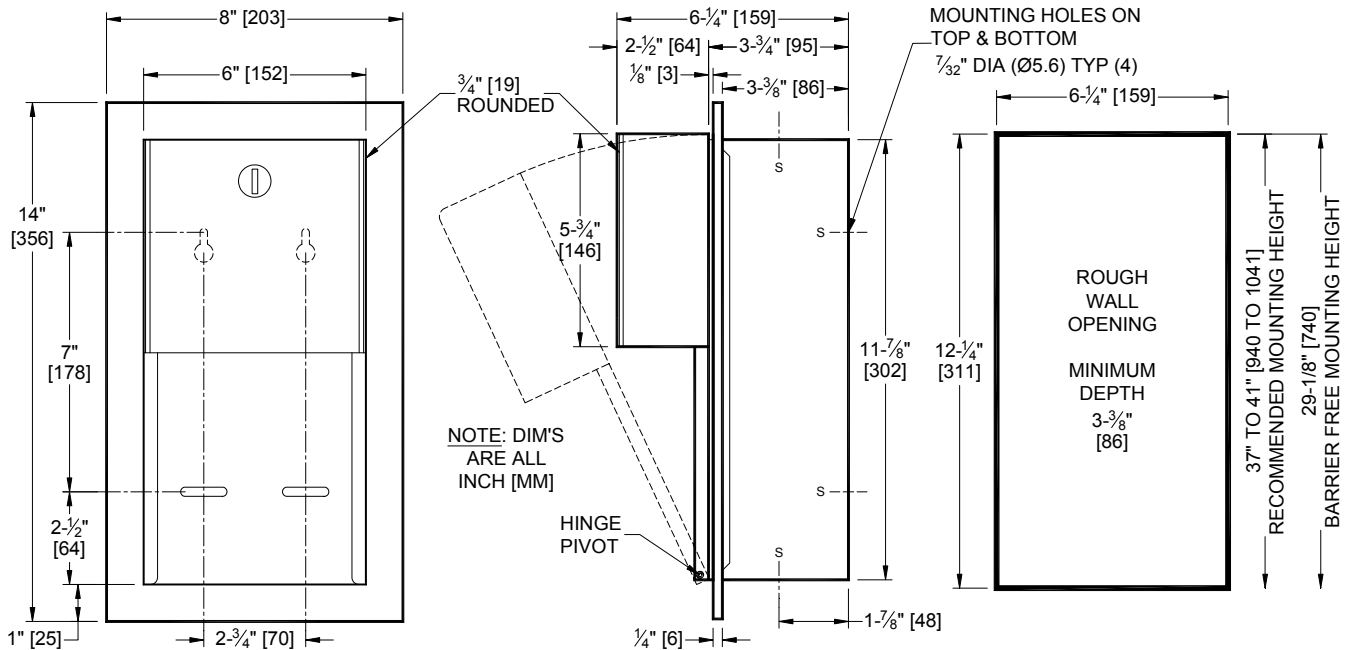
AMERICAN SPECIALTIES, INC.
 441 Saw Mill River Road, NY 10701
 (914) 476.9000 • (914) 476.0688
 www.americanspecialties.com

MODEL №: 9031

ISSUED: 10/99

REVISED: 07/10

PROFILE COLLECTION SEMI-RECESSED TWIN HIDE-A-ROLL TOILET PAPER DISPENSER



SPECIFICATION

Profile Collection Semi-Recessed Mounted Twin Hide-A-Roll Toilet Paper Dispenser shall hold and dispense two (2) standard or two (2) 5-1/4" diameter (\varnothing 133) 1800 sheet paper rolls and shall have door, door frame, and dispensing mechanism guide tracks fabricated of 18 gauge (1.2) type 304 stainless steel alloy 18-8. Cabinet body shall be 22 gauge (.8) same grade. All exposed surface shall be № 4 satin finish and be protected during shipment with PVC film easily removable after installation. Internal mechanism levers shall be fabricated of molded high-impact resistant plastic for smooth operation. Structural assembly of body and door components shall be of welded construction. Door hinges shall be heavy-duty stainless steel 3/16" diameter (\varnothing 4.8) rivets. Door shall have 3/4" (19) rounded vertical edges with all corners welded and ground smooth with no open miters and shall be held closed with a flush rimless tumbler lock keyed alike to other ASI washroom equipment. Cabinet shall include theft and vandal resistant rollers that shall be of molded high-impact resistant plastic with integral molded-in plated steel endpins and two (2) rollers [p/n R-004] shall be supplied.

Profile Collection Semi-Recessed Mounted Twin Hide-A-Roll Toilet Paper Dispenser shall be Model № 9031 of American Specialties, Inc., 441 Saw Mill River Road, Yonkers, New York 10701-4913

INSTALLATION

Unit is semi-recessed mounted in wall using four (4) № 10 self-tapping Philips flat head screws (by others) into suitable wall preparation (by others). Top two mounting holes through back are "keyhole" slots for ease in hanging unit on pre-installed screws if so desired as alternate mounting method. Bottom two mounting holes are horizontal slots for ease of adjustment if so desired as alternate mounting method. For compliance with ADA Accessibility Guidelines, install top of unit 30" (762) above finished floor (AFF).

Rough Wall Opening (RWO) required is 6-1/4" W x 12-1/4" H x 3-3/8" D (159 x 311 x 86)

OPERATION

Reloading instructions are printed on graphic label inside door. Bottom roll is depleted prior to top roll automatically dropping into lower position for use. Empty rollers cannot be removed without key unlocking door.