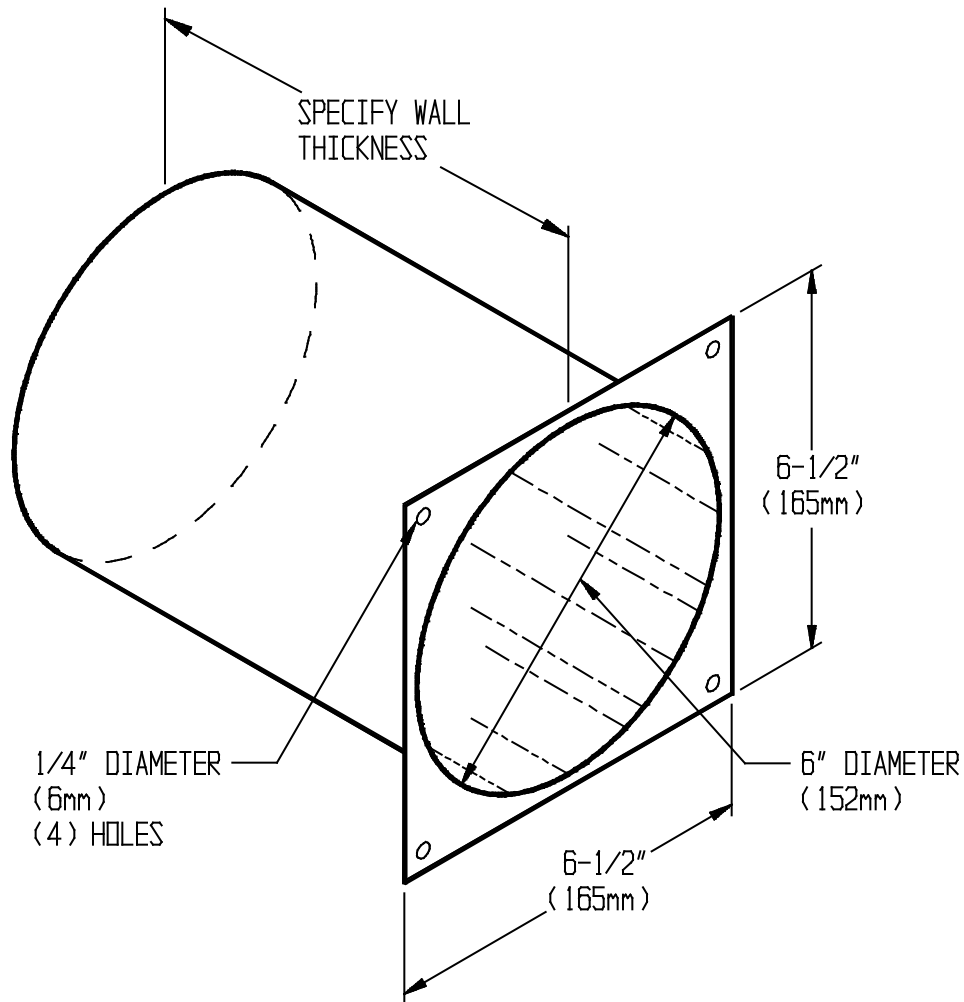




AMERICAN SPECIALTIES, INC.
441 Saw Mill River Road, Yonkers, NY 10701 (914) 476-9000

MODEL No:	910
ISSUED:	1-87
REVISED:	9-96

WALL SLEEVE



SPECIFICATION

Wall Sleeve for Security Toilet Paper Holder (Model N^o110, supplied separately) shall be fabricated of corrosion protected steel. Flat plate shall be N^o20 gauge and roll cylinder shall be N^o16 gauge. Unit shall be of welded construction with mounting holes for attachment to forms. Sleeve shall have open ends to remain in wall. Closed end sleeves are available when specified for removal from forms.

Wall Sleeve shall be Model N^o910 as fabricated by American Specialties, Inc., 441 Saw Mill River Road, Yonkers, New York 10701-4913

WALL THICKNESS

Specify option with check mark (✓)

- 3-5/8" (92mm)
- 5-5/8" (143mm)
- 6" (152mm)
- 7-5/8" (194mm)
- 8" (203mm)
- Other Wall Thickness (Specify) _____

Accessory Specialties

AMERICAN DISPENSER

Desert Ray Products

WATROUS INC.