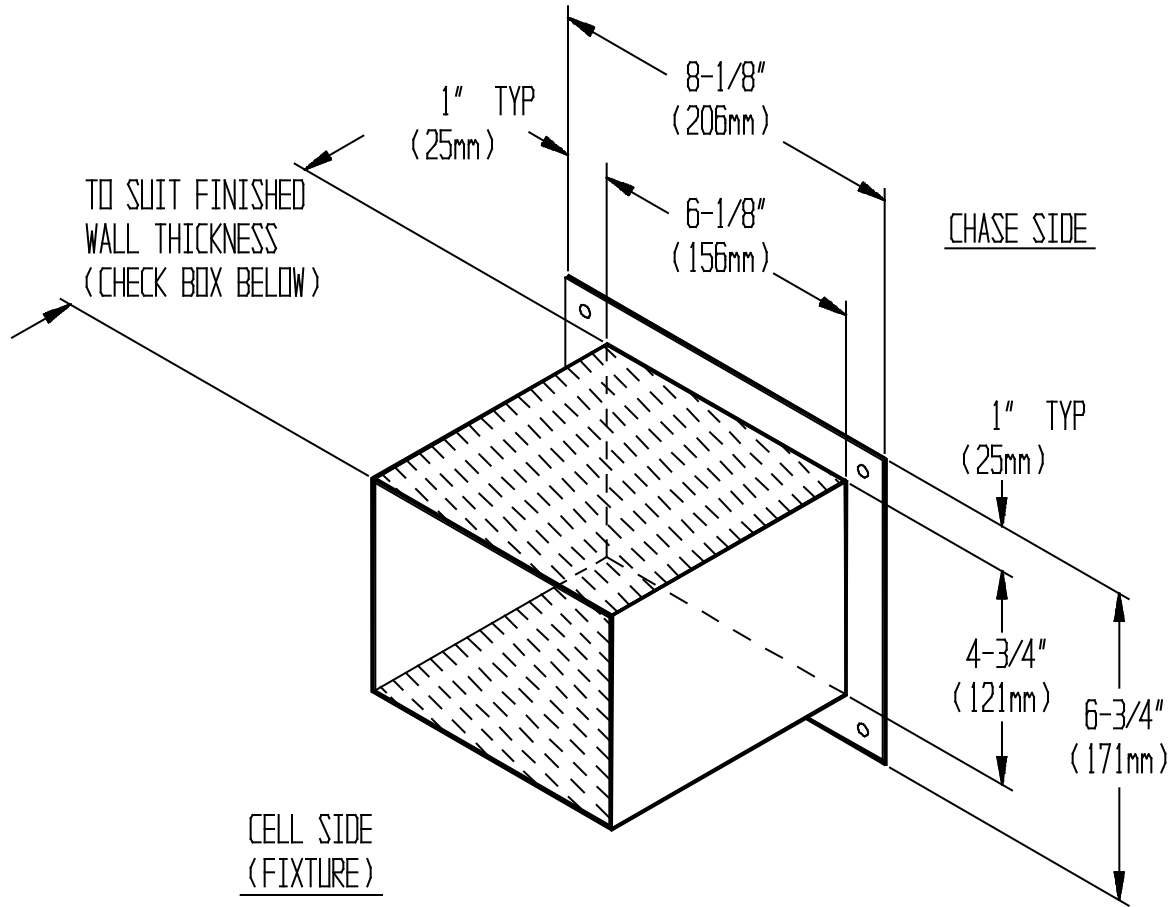




AMERICAN SPECIALTIES, INC.
 441 Saw Mill River Road, Yonkers, NY 10701 (914) 476-9000

MODEL No:	940
ISSUED:	2-87
REVISED:	7-92

WALL SLEEVE (FOR 140 RECESSED SOAP DISH)



SPECIFICATION

Wall Sleeve for Security Recessed Soap Dish (model N^o140, supplied separately) shall be fabricated of corrosion protected steel of welded construction. Flat plate shall be N^o20 gauge and rectangular box shall be N^o16 gauge. Sleeve shall have open ends to remain in wall. Closed end sleeves are available when specified for removal from forms.

Wall Sleeve shall be Model N^o940 as fabricated by American Specialties, Inc., 441 Saw Mill River Road, Yonkers, New York 10701-4913

WALL THICKNESS

Specify option with check mark (✓)

- 3-5/8" (192mm)
- 5-5/8" 143mm)
- 6" (152mm)
- 7-5/8" (194mm)
- 8" (203mm)
- Other Wall Thickness (Specify) _____

Accessory Specialties

AMERICAN DISPENSER

Desert Ray Products

WATROUS INC.