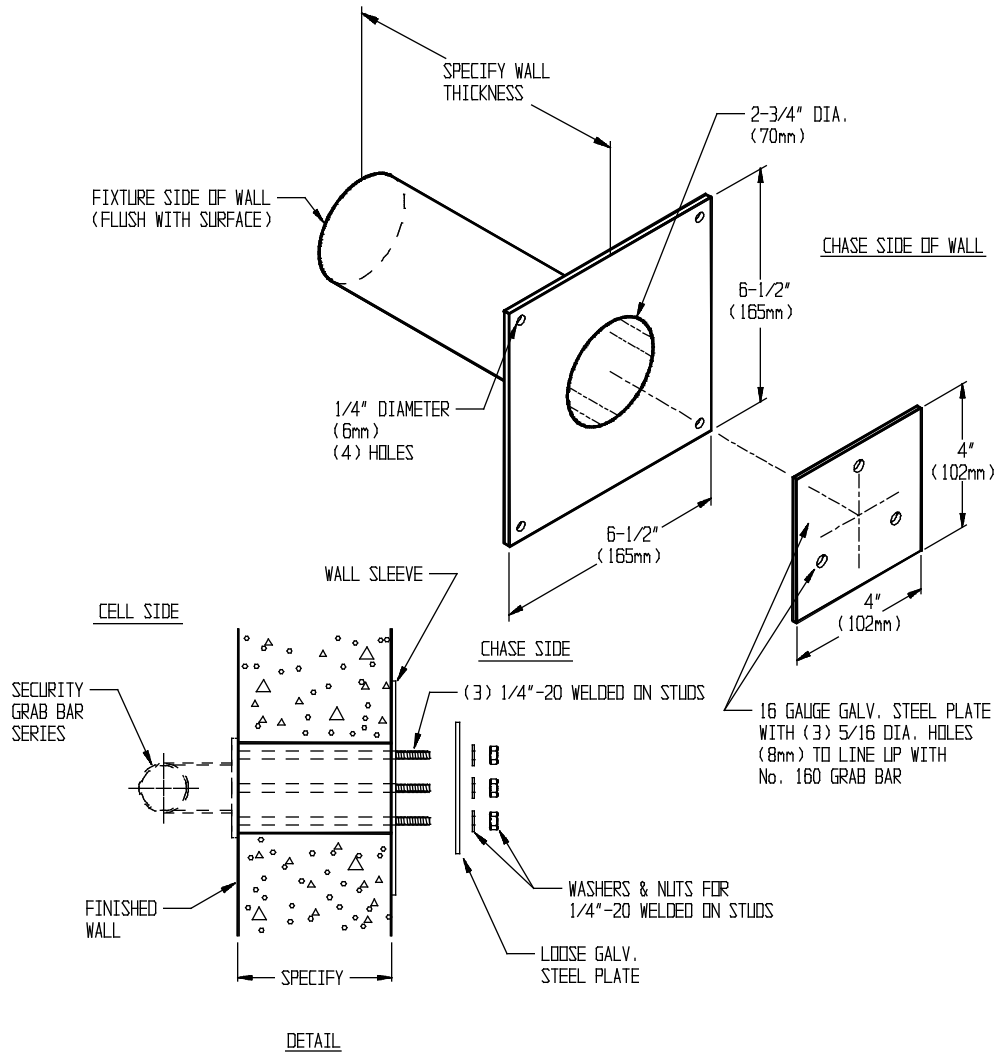




**AMERICAN SPECIALTIES, INC.**  
441 Saw Mill River Road, Yonkers, NY 10701 (914) 476-9000

MODEL No:	960
ISSUED:	2-87
REVISED:	7-92

**WALL SLEEVE (FOR 158-169 SECURITY GRAB BAR)**



**SPECIFICATION**

Wall Sleeve for Security Grab Bar (model N<sup>o</sup>158-169, supplied separately) shall be fabricated of corrosion protected steel of welded construction. Flat plate shall be N<sup>o</sup>20 gauge and roll cylinder shall be N<sup>o</sup>16 gauge. Sleeve shall have open ends to remain in wall. Closed end sleeves are available when specified for removal from forms.

Wall Sleeve for Security Grab Bar shall be Model N<sup>o</sup>960 as fabricated by American Specialties, Inc., 441 Saw Mill River Road, Yonkers, New York 10701-4913

**WALL THICKNESS**

Specify option with check mark (✓),

- 3-5/8" (192mm)
- 5-5/8" (143mm)
- 6" (152mm)
- 7-5/8" (194mm)
- 8" (203mm)
- Other Wall Thickness (Specify) \_\_\_\_\_